



# OWNERS MANUAL

IMPORTANT: READ OWNERS MANUAL CAREFULLY



MODEL Cruiser 20 High Performance Floor Machine

FOR YOUR CONVENIENCE, RECORD THE FOLLOWING IMPORTANT INFORMATION

MODEL: \_\_\_\_\_

SERIAL NUMBER: \_\_\_\_\_

DATE PURCHASED: \_\_\_\_\_

PURCHASED FROM: \_\_\_\_\_

# TABLE OF CONTENTS

---

Machine Specifications .....	1
Service Information .....	2
Important Safety Instructions.....	2
Grounding Instructions .....	3
Operations / Accessories .....	3
Choosing the Right Brush and Drive Block .....	3
Brush And Pad Driver Installation.....	4
Adjustments\Handle Adjustments .....	4
Controls.....	4-5
Guidelines for Operation.....	5
Cord Storage .....	5
Clean Up and Storage .....	5
Floor Machine Assemblies.....	6-10
Floor Machine Parts List.....	11-12
Limited Warranty .....	Back Cover

## Machine Specifications

---

Model .....	20" 175 RPM 1.5 HP
Item # .....	82010
Voltage .....	115V/60Hz
Power cord .....	50 Ft. (15.2m) 12-3 STO Fixed Orange
Motor.....	1.5 HP / 66 Frame
RPM (Brush).....	175
Gear Box .....	Planetary 3-Idler Steel Cut Helical Gears
Machine Weight ...	20" 109 lbs (49.4 kg)

## SERVICE INFORMATION

To obtain consistent performance over the life of your equipment, read through these instructions and save them for future reference. If you require service, contact the dealer from which the machine was purchased or an authorized service station. Always refer to your Limited Warranty for complete service information.

SERIAL NO.		MODEL
VOLTS	PHASE	HZ
MOTOR	AMPS	H.P.

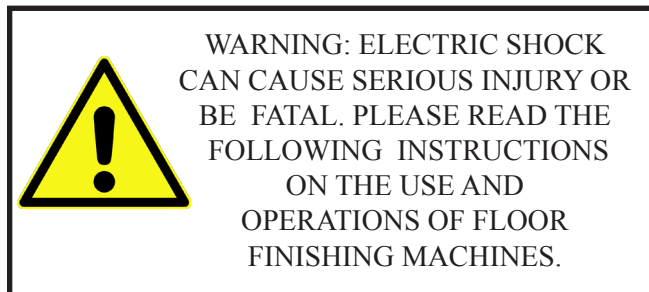
The model, type, and serial number are indicated on the data plate on the side of the handle. For prompt and complete service, refer to these numbers when inquiring about service.

Write the model and serial number of your unit in the space provided. Refer to the data plate on unit.	
SERIAL #	MODEL #
Retain this owners manual for future reference.	

## IMPORTANT SAFETY INSTRUCTIONS

When using an electrical appliance, basic precautions should always be followed, including the following:

### READ ALL INSTRUCTIONS BEFORE USING THIS FLOOR MACHINE.



- Your floor machine is equipped with a safety switch lock and power switch triggers designed for your safety. Do not attempt to bypass or defeat the safety switch lock. Never use any device to lock the power switch triggers in the “ON” position.
- Do not leave the floor machine plugged in. Turn off the switch and unplug the electrical cord when not in use and before servicing or changing the brushes or pads.

- Do not allow the machine to be used as a toy. Close attention is necessary when used near children. Do not leave the machine connected to an electrical outlet unattended.
- Use only as described in this manual. Use only manufacturer’s recommended attachments.
- Do not use with a damaged cord or plug. If the machine is not working as it should, has been dropped, damaged, or left outdoors, return it to a service center before using.
- Use care to keep the electrical supply cord around sharp edges or corners. Keep the cord away from the heated surfaces.
- Connect to properly grounded (3-wire) outlet only. Refer to Grounding Instructions, Page 3.
- Do not use extension cords or outlets with inadequate current carrying capacity.
- Turn off all controls before unplugging.
- Do not unplug by pulling on the cord. To unplug, grasp the plug and pull.
- Do not handle the plug or floor machine with wet hands.
- Wind the cord no tighter than is necessary to retain it during storage. Refer to Cord Storage, Page 5.
- Use extra care when working on or near stairs.
- Do not use in conjunction with flammable or combustible liquids such as gasoline, or use in areas where explosive vapor or dust may be present.
- Store your floor machine indoors in a cool, dry area.
- Keep your work area well lighted.
- **WARNING:** To avoid electrical shock, use indoors only.

## GROUNDING INSTRUCTIONS

This appliance must be grounded. If it should malfunction or break down, grounding provides a path of least resistance for electric current to reduce the risk of electric shock. This appliance is equipped with a cord that has an equipment-grounding conductor and grounding plug. The plug must be plugged into an appropriate outlet that is properly installed and grounded in accordance with all local codes and ordinances.

### FOR FLOOR FINISHING MACHINES RATED LESS THAN 150 VOLTS



**WARNING: DO NOT USE GROUNDING ADAPTERS ON FLOOR MACHINES IN CANADA. CHECK WITH CANADIAN CODES FOR PROPER EQUIPMENT USAGE. IMPROPER USE OF GROUND ADAPTERS CAN CAUSE SERIOUS INJURY, FIRE, OR BE FATAL.**

Improper connection of an equipment grounding conductor can result in risk of electric shock. Check with a qualified electrician or service person if you are in doubt as to whether the outlet is properly grounded. Do not modify the plug provided with the appliance. If it will not fit the outlet, have a proper outlet installed by a qualified electrician. This appliance is for use on a nominal 120 volt circuit and has a grounding plug that looks like the plug illustrated in Figure 1. A temporary adapter which looks like the adapter illustrated in Figure 2 may be used to connect this plug to a two pole receptacle, as shown, if a properly grounded outlet is not available. The temporary adapter should be used only until a properly grounded outlet (Figure 1) can be installed by a qualified electrician. The green colored rigid ear, lug, or the like extending from the adapter must be connected to a permanent ground such as a properly grounded outlet box cover. Whenever the adapter is used, it must be held in place by one metal screw.

### FOR FLOOR FINISHING MACHINES RATED 150-220 VOLTS:

If the machine is provided with an attachment plug cap as shown in Figure 3, it is intended for use on a 240 volt (nominal) circuit. No adapter is available for this cap.

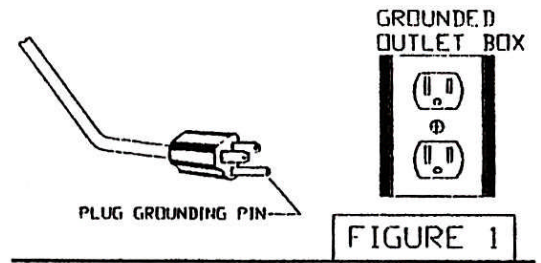


FIGURE 1

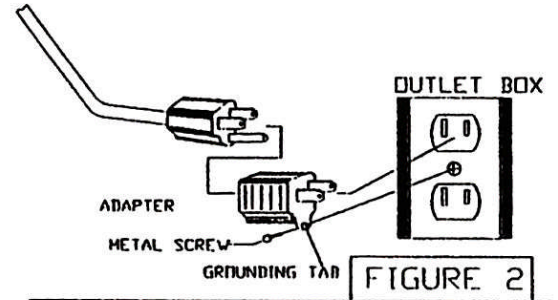


FIGURE 2

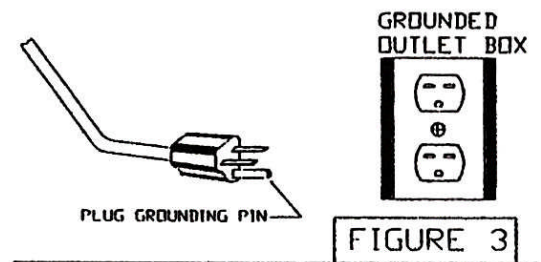


FIGURE 3

## OPERATION / ACCESSORIES

### CHOOSING THE RIGHT BRUSH AND DRIVE BLOCK

Your floor machine is packed completely assembled and ready for use after you install a brush or drive block.

Your floor machine is designed to be used for many different floor care applications. Make sure you use the correct brush or pad for the type of job you want to perform. (Accessories are available from the dealer from whom the floor machine was purchased. See Optional Accessories, Page 10)

When ordering brushes or drive blocks, refer to the following chart and specify correct brush or block diameter when ordering.

Machine Size	Pad Driver	Brush Diameter	Block Diameter
20"	19"	20"	18"

Clutch plate A0019 is common on all models.

## BRUSH AND PAD DRIVER INSTALLATION

**NOTE: Disconnect the power cord from the electrical outlet before installing a brush or pad driver.**

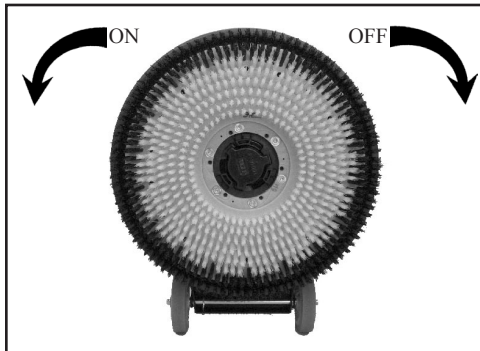


Figure 4

To install a brush or pad driver, leave the handle in the upright position and tip the machine backwards so it rests on its wheels and upper handle section (Figure 4). The brush and pad driver both attach in the same manner; align the cut-outs on the inner ring of the brush or pad driver with the tables on the inside of the ring of the drive hub (Figure 5). Push the brush or pad driver firmly in position, then turn it counter-clockwise until it locks into place. To remove, turn the brush or pad driver clockwise until it stops, and then lift it off. **NOTE: Always remove the brush or pad driver when the machine is not in use.**

**NOTE: Disconnect power cord from the electrical outlet before installing or removing brush, pad, or pad driver.**

### ADJUSTMENTS HANDLE ADJUSTMENT

The handle can be adjusted to any desired work position by simply pulling on the pull pin and move the handle to the desired position. Firmly push the pull pin back into the adjustment holes. This will lock the handle in position. (See figure 5). The head assembly is removable form the handle and carriage. To remove the head assembly, unplug the handle from the motor, and disengage the two pull pins on the carriage. Slide the handle and carriage away from the head assembly. (See figure 6).



Figure 5

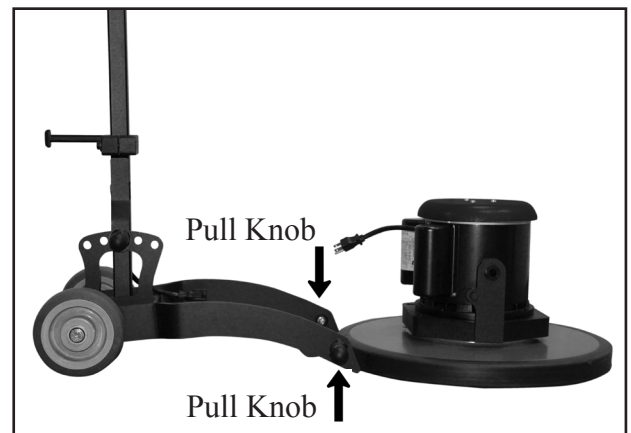


Figure 6

### CONTROLS ON/OFF POWER SWITCH TRIGGERS

The ON/OFF switch is conveniently located in the form of dual triggers underneath the handle grips.

#### TO TURN THE MACHINE ON

The operating handle must be lowered to the operating position before switching the machine ON. Place both hands firmly on the handle grips with your fingers around the power triggers. Do NOT apply pressure on the triggers before the safety switch lock is disengaged.

Disengage the safety switch lock by pushing it forward with one thumb. Then, while holding the safety switch lock in the disengaged position, squeeze the power triggers toward the handle grips and return your thumb to the handle grip. (See figure 7 )

To stop the machine, simply release the triggers. The safety switch lock will automatically return to the engaged position. (See figure 7 )

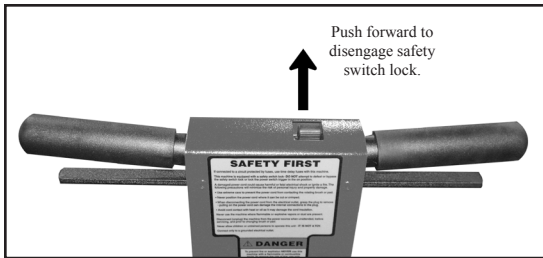


Figure 7

The model 175/300 RPM 2-Speed is a two-speed floor machine designed for dual operation, scrubbing, or buffing. A toggle switch on the left side of the switch box selects the output speed, 175 RPM for scrubbing or 300 RPM for buffing. **DO NOT** operate this floor machine for buffing in low speed, it will not do an effective job and tends to overload the motor unnecessarily.

### GUIDELINES FOR OPERATION

- Your floor machine is a very sensitive, powerful unit. When in operation, it should be guided gradually and smoothly without sudden or rough motions. You will want to practice with your machine on a smooth surface until you have experience in operating it.
- For ease of operation, always keep the brush or pad surface level, balanced, and flat on the floor at all times.
- Always adjust the operating handle to a comfortable height at which the brush or pad surface is balanced before starting the machine. (See Handle Adjustment Page 4)
- Your floor machine will operate differently on various surfaces. For example, there will be much more resistance when the machine is used with a brush on carpeted surfaces than when it is used with a pad on a smooth surface. The operator should be prepared to adjust for these differences.
- **BEGIN OPERATING THE FLOOR MACHINE WITH THE BRUSH OR PAD SURFACE LEVEL, BALANCED AND FLAT ON THE FLOOR.**
- To move the machine to the right, slowly apply slight upward pressure on the handle.
- To move the machine to the left, slowly apply slight downward pressure on the handle.
- To move the machine forward or backward, keep the brush or pad flat on the floor and push or pull the machine in the desired direction.

**DO NOT LET THE MACHINE REST ON THE PAD OR BRUSH FOR AN EXTENDED PERIOD OF TIME.** This may alter the shape of the pad or brush which may cause the machine to wobble.

### CORD STORAGE

When not in use, loosely wind the power cord around the cord storage hook on the handle shaft and both of the handle grips, as shown:



### CLEAN UP AND STORAGE

After being used, your floor machine can be wiped clean with a soft, damp cloth and should be stored in a clean, dry place.

*C R U I S E R*

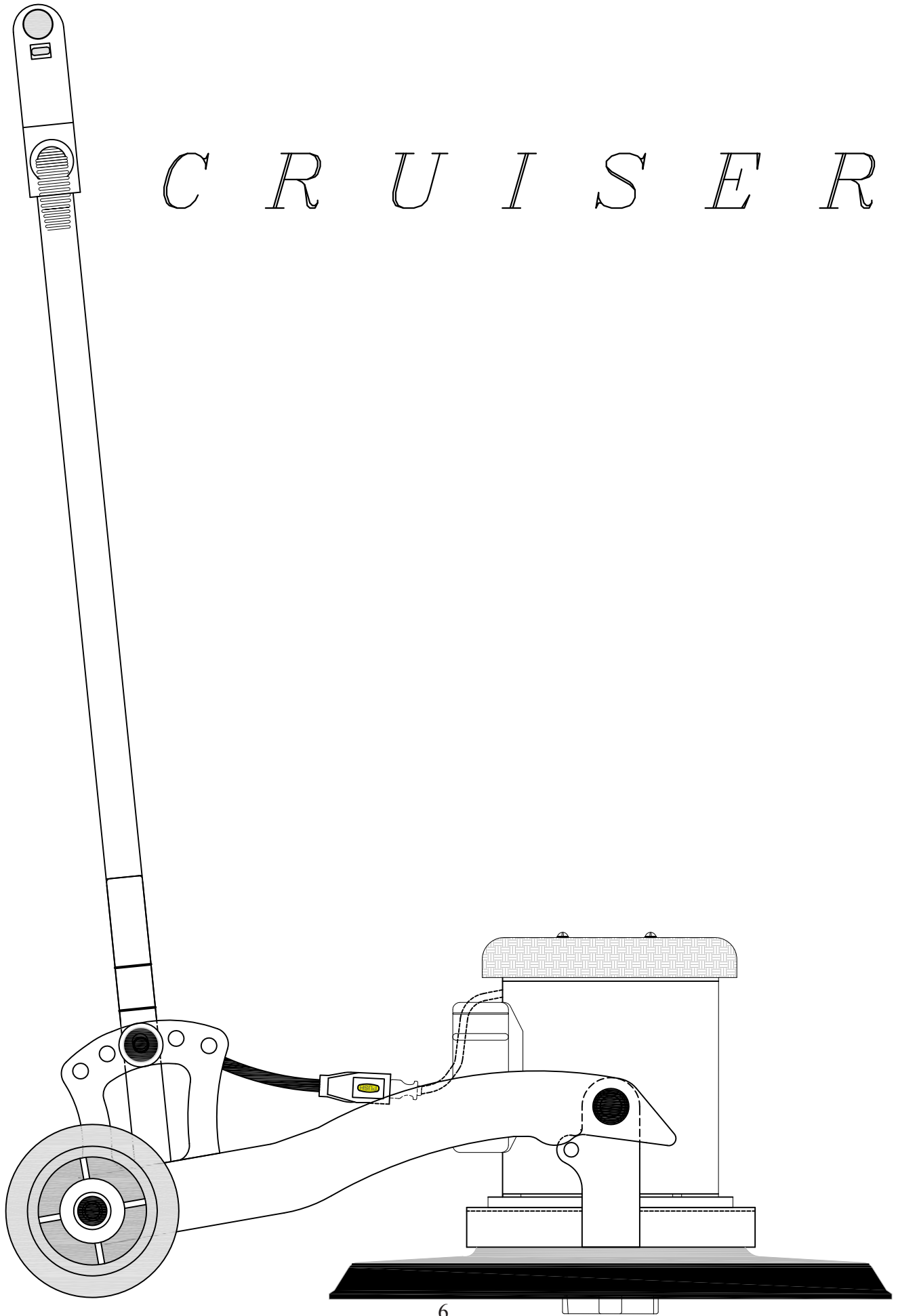


FIGURE (1)

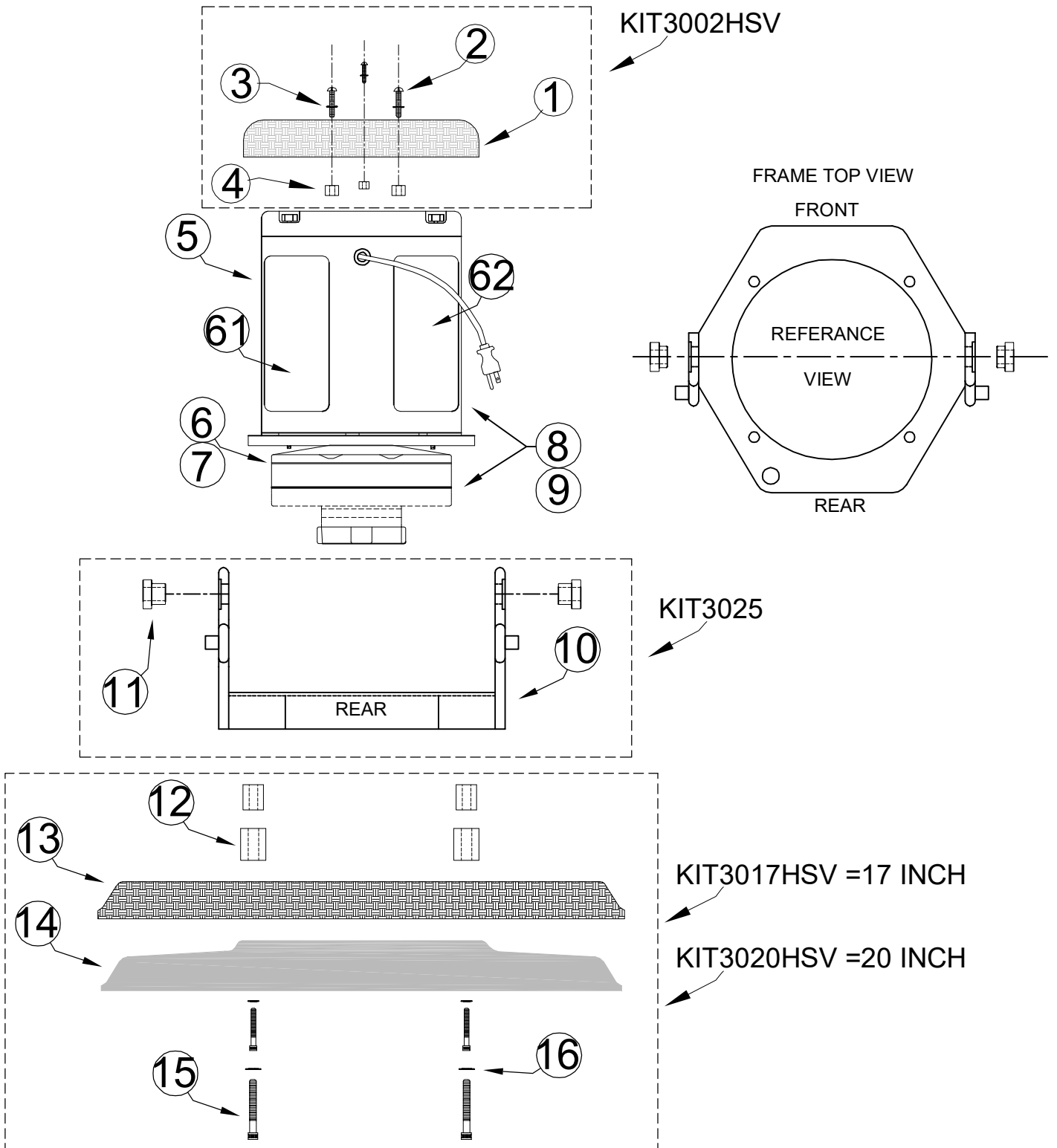
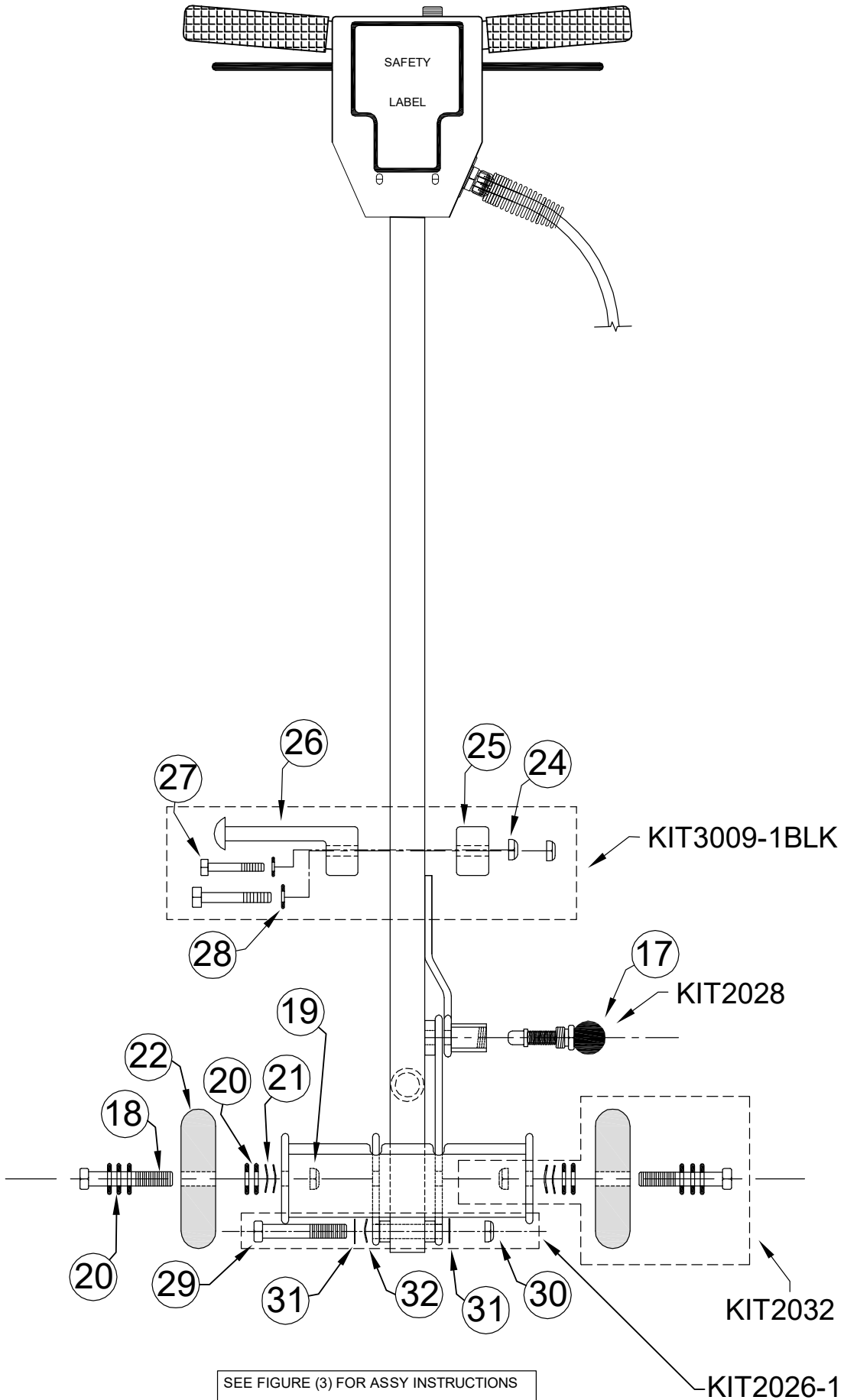




FIGURE (2)  
REAR VIEW



# INSTALLATION SEQUENCE OF WHEELS AND HANDLE ASSEMBLY

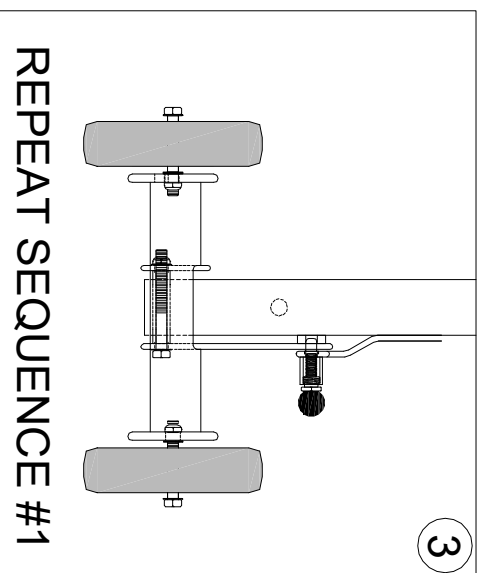
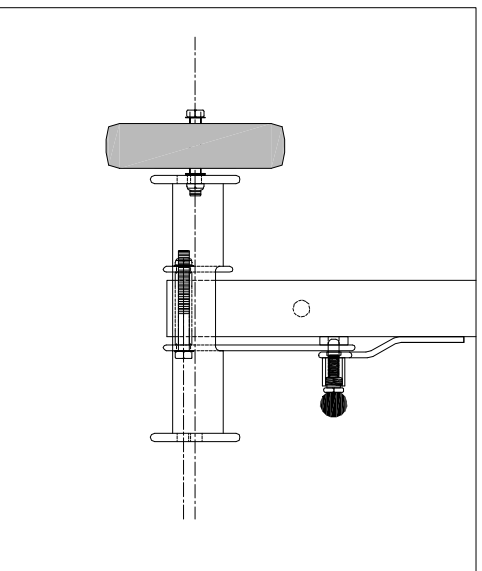
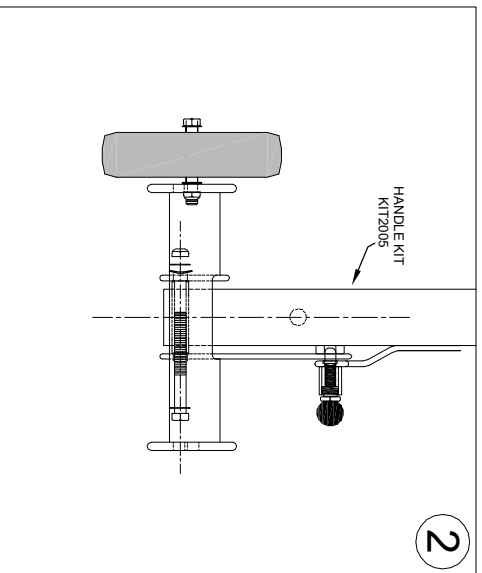
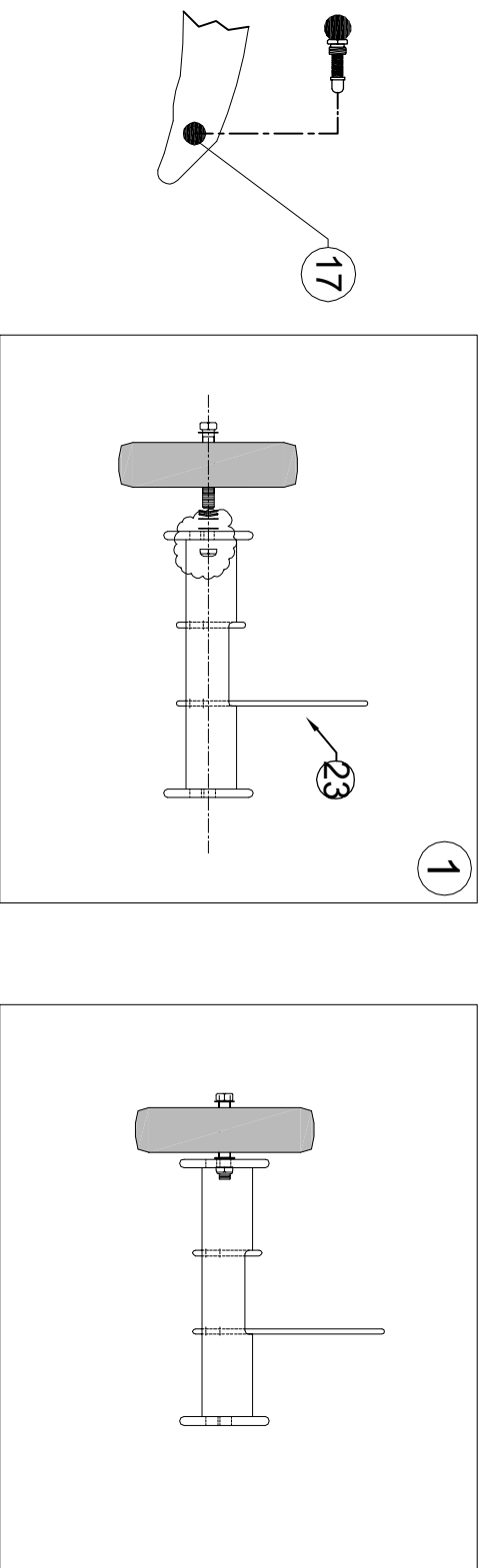
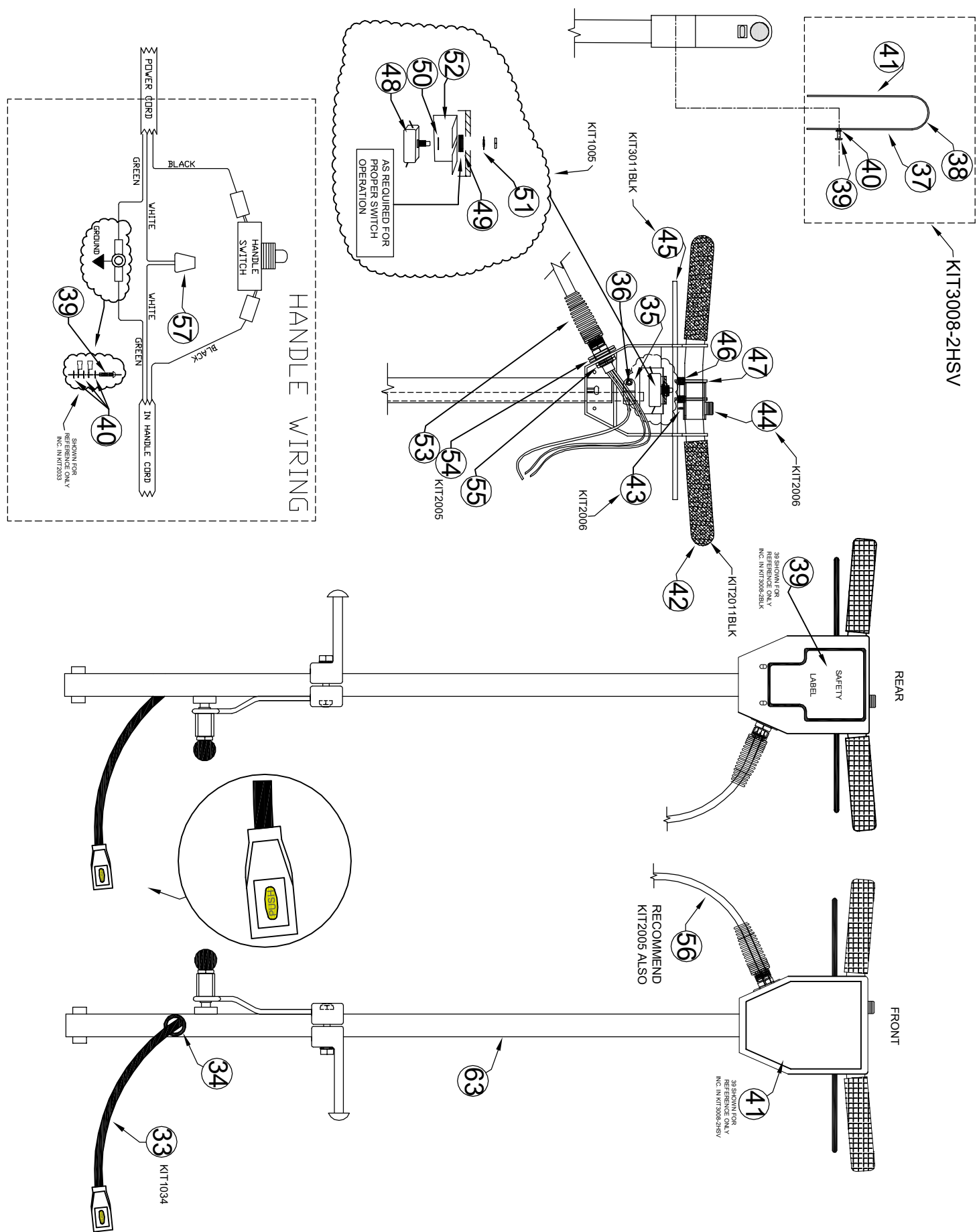


FIGURE (4)



DETAIL NUMBER	PART NUMBER	DESCRIPTION	QTY REQ'D
	KIT3002HSV	MOTOR COVER KIT	1
1	INC IN KIT3002HSV	DRIP COVER -HSV	1
2	INC IN KIT3002HSV	SCREW 10 - 24 X 1	3
3	INC IN KIT3002HSV	WASHER # 10 EXT. TOOTH LCK	3
4	INC IN KIT3002HSV	SPACER ROUND NYLON BLACK	3
5	E0030-BLK	<b>MOTOR (ONLY) 1.5HP 115/230V60C</b>	1
6	G0002	<b>GEARBOX (ONLY) 3-IDLR W/MTG FLANGE</b>	1
7	G0002XHD	<b>XHD GEARBOX (ONLY) 3-IDLR W/MTG FLANGE</b>	1
8	E0030GICBLK	<b>MOTOR 1.5HP 115/230V60C W/ STD. GEARBOX</b>	1
9	E0030GXHDBLK	<b>MOTOR 1.5HP 115/230V60C W/ XHD GEARBOX</b>	1
	KIT3025	FRAME W/PULL BUSHINGS INSTALLED	1
10	INC IN KIT3025	FRAME FOR MOTOR & GEARBOX	1
11	INC IN KIT3025	KIT2033 BUSHINGS PIVOT NYLON	1
	KIT2023	PIVOT BUSHING KIT	1
11	INC IN KIT2023	BUSHINGS PIVOT NYLON	2
	KIT3020HSV	BRUSH COVER 20 INCH KIT	1
12	INC IN KIT3020HSV	SPACER NYLON	4
13	C0002-BLK	BUMPER 20 INCH - BLACK <b>(INCL IN KIT)</b>	1
14	INC IN KIT3020HSV	BRUSH COVER 20 INCH HSV	1
15	INC IN KIT3020HSV	SCREW SOCKET CAP 5/16 - 18 X 2	4
16	INC IN KIT3020HSV	WASHER LOCK ZINC 5/16 ID	4
	KIT3017HSV	BRUSH COVER 17 INCH KIT	1
12	INC IN KIT3017HSV	SPACER NYLON	4
13	C0001-BLK	BUMPER 17 INCH - BLACK <b>(INCL IN KIT)</b>	1
14	INC IN KIT3017HSV	BRUSH COVER 17 INCH HSV	1
15	INC IN KIT3017HSV	SCREW SOCKET CAP 5/16 - 18 X 2	4
16	INC IN KIT3017HSV	WASHER LOCK ZINC 5/16 ID	4
	KIT2028	SPRING KNOB ASSY.	1
17	INC IN KIT2028	KNOB ASSY.	1
	KIT2032	WHEEL KIT	2
18	INC IN KIT2032	BOLT HEX .500-13 X 3	1
19	INC IN KIT2032	NUT HEX .500-13 NYLOC	1
20	INC IN KIT2032	FLAT WASHER	5
21	INC IN KIT2032	WASHER SPRING WAVE	2
22	INC IN KIT2032	WHEEL	1
	KIT3031	CARRAGE FRAME	1
23	INC IN KIT3031	CARRAGE FRAME (ONLY)	1
	KIT3009-1BLK	CORD HOOK KIT (SQUARE)	1
24	INC IN KIT3009-1BLK	NUT 3/8-16 NYLOCK	2
25	INC IN KIT3009-1BLK	CAP CORD HOOK SQUARE BLK	1
26	INC IN KIT3009-1BLK	CORD HOOK SQUARE BLK	1
27	INC IN KIT3009-1BLK	BOLT HEX 3/8-16 X 2	2
28	INC IN KIT3009-1BLK	WASHER FLAT BLK	2
	KIT2026-1	HANDLE MOUNTING HWDR KIT	1
29	INC IN KIT2026-1	BOLT HEX .500-13 X 3	1
30	INC IN KIT2026-1	NUT HEX .500-13 NYLOC	1
31	INC IN KIT2026-1	FLAT WASHER	2
32	INC IN KIT2026-1	WASHER SPRING WAVE	2

DETAIL NUMBER	PART NUMBER	DESCRIPTION	QTY REQ'D
	KIT1034	IN HANDLE CORD KIT	1
33	INC IN KIT1034	IN HANDLE CORD	1
34	INC IN KIT1034	GROMMET IN HANDLE	1
35	INC IN KIT1034	LOOP CLAMP	1
36	INC IN KIT1034	SCREW 10-24 X .50 THIRD ROLL PHILL PAN ZINC	1
	KIT3008-2HSV	SWITCH BOX ASSY KIT	1
37	INC IN KIT3008-2BLK	WARNING SWITCH BOX SAFETY LABEL (REAR)	1
38	INC IN KIT3008-2BLK	SWITCH BOX COVER	1
39	INC IN KIT3008-2BLK	SCREW 10-24 X .50 THIRD ROLL PHILL PAN ZINC	2
40	INC IN KIT3008-2BLK	WASHER # 10 EXTERNAL TOOTH LOCK - ZINC	2
41	INC IN KIT3008-2BLK	SWITCH BOX COVER LABEL (FRONT)	1
	KIT2011BLK	HANDLE GRIP KIT - BLK	1
42	INC IN KIT2011BLK	HANDLE GRIP -BLK	2
	KIT2006	SAFETY SWITCH KIT	1
43	INC IN KIT2006	SPRING 2LNG X .025 OD X .026	1
44	INC IN KIT2006	SAFETY SWITCH	1
	KIT3011BLK	TRIGGER REPLACEMENT KIT	1
45	INC IN KIT3011BLK	TRIGGER - BLK	1
46	INC IN KIT3011BLK	SPRING - TRIGGER	2
47	INC IN KIT3011BLK	ROLL PIN	2
	KIT1005	REPLACEMENT SWITCH KIT - MAIN	1
48	INC IN KIT1005	SWITCH	1
49	INC IN KIT1005	WASHER FLAT- ZINC	5
50	INC IN KIT1005	WASHER FLAT 5/16 USS - ZINC	1
51	INC IN KIT1005	WASHER 3/8 INTRNL TOOTH LOC-ZINC	1
52	INC IN KIT1005	SWITCH INSULATION	1
	KIT3032	HANDLE ASSY LESS POWER CORD & SWITCH BOX COVER	1
63	INC IN KIT3032	HANDLE WDMT - BLK	1
	INC IN KIT3032	KIT2005 STRAIN RELIEF REPLACEMENT KIT	1
	INC IN KIT3032	KIT2033 HANDLE HARDWARE KIT	1
	INC IN KIT3032	KIT3011BLK TRIGGER REPLACEMENT KIT	1
	INC IN KIT3032	KIT2006 SAFETY SWITCH KIT	1
	INC IN KIT3032	KIT3009-1BLK CORD HOOK KIT (SQUARE)	1
	INC IN KIT3032	KIT1005 REPLACEMENT SWITCH KIT - MAIN	1
	INC IN KIT3032	KIT2026-1 HANDLE MOUNTING HWDR KIT	1
	KIT2005	STRAIN RELIEF REPLACEMENT KIT	
53	INC IN KIT2005	STRAIN RELIEF	1
54	INC IN KIT2005	WASHER STRAIN RELIEF - ZINC	2
55	INC IN KIT2005	NUT CONDUIT 1/2	1
56	E0003-1ORG	POWER CORD 14-3 SJT ORG THIN 50 FT CORD 12-3	1
	KIT2033	HANDLE HARDWARE KIT	1
57	INC IN KIT2033	WIRE NUT	1
39	INC IN KIT2033	SCREW 10-24 X .50 THIRD ROLL PHILL PAN ZINC	4
40	INC IN KIT2033	WASHER # 10 EXTERNAL TOOTH LOCK - ZINC	5
35	INC IN KIT2033	LOOP CLAMP	1
34	INC IN KIT2033	GROMMET IN HANDLE	1
61		START CAPACITOR	1
62		RUN CAPACITOR	1

## LIMITED WARRANTY

Your equipment which has been manufactured, tested and inspected in accordance with carefully specified engineering requirements, is warranted to be free from defects in material and workmanship. This Limited Warranty is, however, subject to the Following qualifications, conditions and limitations which are set forth to provide you and all users of the equipment with information concerning the duration, extent, availability, and applicability of this Limited Warranty, the procedure to be taken to obtain its performance, and other information concerning the **Limited Warranty policy**.

The Limited Warranty is extended to the original end user as follows:  
Machines: 3 year parts replacement and 1 year service labor warranty.

Replacement parts guaranteed for 90 days from date of installation against defects in material and workmanship.

This Limited Warranty will not cover damage attributable to the following:

- (1) Improper, unreasonable or negligent use or abuse of the equipment
- (2) Abrasions or punctures of the equipment.

The start date of the Limited Warranty coverage shall be the purchase date of the original end user or six months from the date the machine was shipped from the Factory, whichever comes first.

### PARTS OF EQUIPMENT NOT COVERED BY THE LIMITED WARRANTY

Certain parts of equipment require replacement in the ordinary use due to normal wear by reason of their characteristics. Normal wear items such as cords, switches, bumpers, bearings, etc. are excluded from the Limited Warranty.

### EXCEPTIONS AND EXCLUSIONS FROM THE LIMITED WARRANTY

This equipment is required to be used on electric current as indicated on the data plate. Otherwise damage, defects, malfunctions or other failure of the equipment arising from use on electric current not as indicated are excepted and excluded from this Limited Warranty. Defects, malfunctions, failure or damage of the equipment caused by improper, unreasonable or neglect use or abuse while in possession of the purchaser are likewise excluded from this warranty. If repair is done on your equipment by anyone other than those designated as authorized to perform such work without first having obtained factory instructions, at its sole option, my determine that this warranty will not apply and that reimbursement for such repair will not be made because of the failure to comply with such factory specified instructions.

### PROCEDURE TO BE TAKEN TO OBTAIN PERFORMANCE OF LIMITED WARRANTY REPAIR

To secure repair of the equipment or any warranted parts under this Limited Warranty, the following procedure should be taken. The inoperative equipment or warranted parts, together with satisfactory evidence of the purchase date, must be delivered, with shipping and delivery charges prepaid, to one of the following:

- (1) The dealer from whom purchased;
- (2) Any distributor's service department in the United States;
- (3) Any authorized service station in the United States.

If you are unable to locate any of the foregoing, you may write or otherwise communicate with your distributor before repair service is performed by anyone else. In such event, your distributor will provide either the location or a closely available distributor service department, or an authorized service station or other factory instructions. Upon compliance with the above procedure, all warranted defects will be repaired, at no additional charge or costs to the customer, and the repaired product returned to the customer, with all shipping and delivery charges pre-paid. In following the procedures set forth, PLEASE MAKE CERTAIN to state the model, type and serial number as shown on the data plate of the equipment.

### REPLACEMENT

In the event of a defect, malfunction or failure of your equipment or any warranted part to conform with this warranty, your distributor may, at its sole option and own expense, replace the equipment or any warranted part with another new, identical or reasonably equivalent model or part in lieu or repairing the defect. **DO NOT** return any equipment or part to the factory without prior authorization.

### NO REFUND OF PURCHASE PRICE

Your distributor will not, as a matter of it's Limited Warranty policy, refund the customer's purchase price.

### LIMITED WARRANTY REGISTRATION CARD FOR YOUR EQUIPMENT AND REQUEST FOR INFORMATION

Your distributor from whom you purchased your equipment is responsible for the registration of your Limited Warranty with the factory. Any information or questions you may have concerning your equipment or this Limited Warranty may likewise be secured from the factory. This Limited Warranty will give you specific legal rights, and you may also have other rights which vary from state to state.