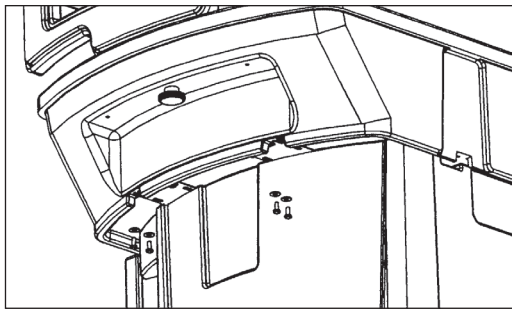
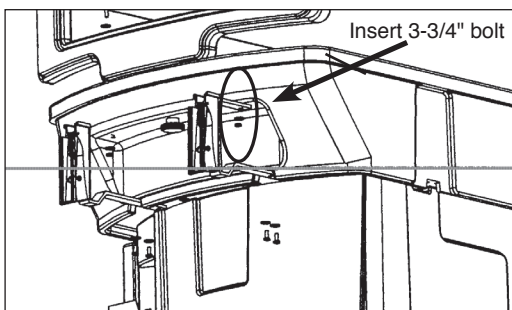


# MAXIMIZER™ FOOD BAR END SHELF ASSEMBLY INSTRUCTIONS

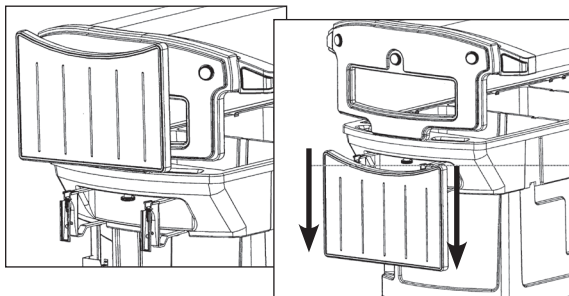


Tools required:  
7/16" open end wrench or equivalent

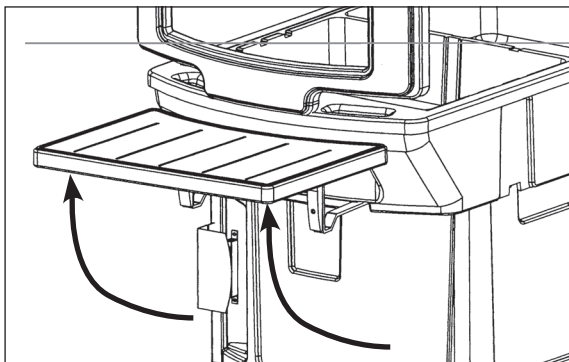
**1** Step 1: Remove four 1/2" bolts and washers from underside of Food Bar, two from each side as shown.



**2** Step 2: Position End Shelf Bracket as shown. Align hole in top of Bracket with hole in basin handle recess (see diagram) and insert 3-1/4" long bolt. Hand tighten with hex nut and washer as shown. Using 5/8" bolts which are supplied with End Shelf hardware, insert bolts with washer and tighten all bolts with wrench at this time. DO NOT over tighten.



**3** Step 3: With both brackets secure to Food Bar, place End Shelf onto Folding Brackets as shown. NOTE: End Shelf Brackets are loose for adjustment. Tighten in Step 4.



**4** Step 4: Pivot End Shelf up and push back until it is seated securely. Tighten End Shelf Bracket screws at this time - these may be seen through holes in the underside of Folding Brackets.

Worldwide Headquarters:  
P.O. Box 53006  
Oklahoma City, Oklahoma 73152-3006  
(405) 475-5600 • FAX (405) 475-5607  
1-800-654-8210  
#104803807 3/08

European Distribution Center:  
Edisonstraat 84, P.O. Box 110  
6900 AC Zevenaar, The Netherlands  
Tel +31/(0)316-596550 • Telex 45642  
FAX +31/(0)316-340168

**CARLISLE**  
FoodService Products