

SIX-STAR™ END SHELF ASSEMBLY INSTRUCTIONS

PARTS LIST

Part	Qty
End Shelf	1
End Shelf Bracket	2
3/4" Hex Head Bolt	4
1/4" Washers	4

Tools Needed: 7/16" wrench

Step 1: Unpack and inventory all parts (see Parts List). To ensure proper assembly, it is suggested that you take time to locate and identify each part.

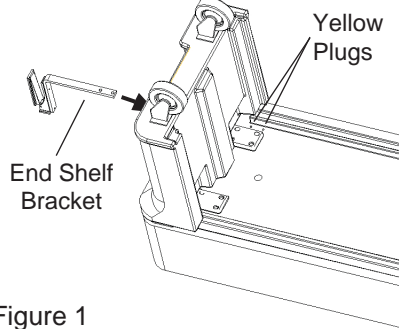


Figure 1

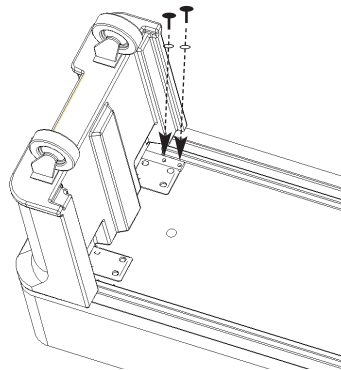


Figure 2

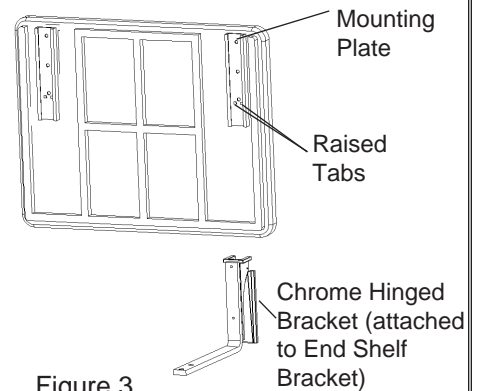


Figure 3

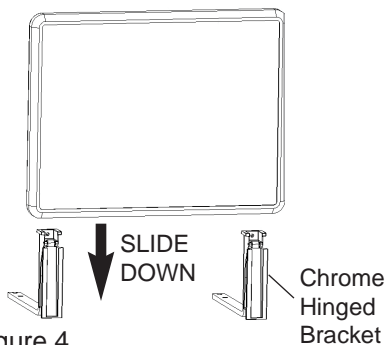


Figure 4

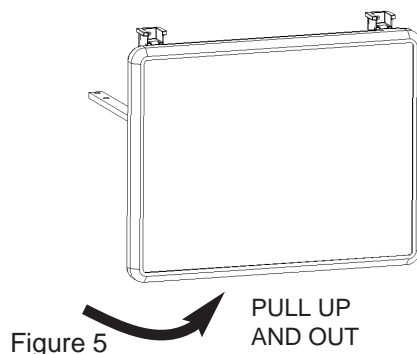


Figure 5

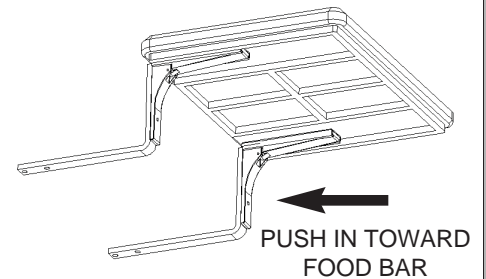


Figure 6

Step 2: Remove the four yellow plugs on the bottom of the basin at the end where the end shelf will be attached (see Figure 1).

Step 3: Slide End Shelf Bracket through hole between leg and basin on end of food bar (see Figure 1).

Step 4: Line up two holes in the End Shelf Bracket with holes on underside of basin (see Figure 2).

Step 5: Using the Hex Head Bolts and Washers shipped with the End Shelf, loosely attach End Shelf Bracket to Basin. Repeat with the next End Shelf Bracket (see Figure 2).

Step 6: With Food Bar upright, hold End Shelf above End Shelf Bracket. Mounting Plate on back of Tray Slide should be **closer to the top** with the raised tabs on the mounting plate **toward the bottom** (see Figure 3).

Step 7: Lining up both Mounting Plates on End Shelf with the End Shelf Brackets, slide the End Shelf **down** onto the chrome hinged brackets (see Figure 4).

Step 8: To raise End Shelf for use, grab bottom of End Shelf and pull it up and out (see Figure 5) then push in toward food bar (see Figure 6). To lower, pull End Shelf out and fold down.

Step 9: Tighten the End Shelf Bracket Bolts underneath the basin.

P.O. Box 53006
Oklahoma City, Oklahoma 73152-3006
(405) 528-3011 • FAX (405) 528-6338
1-800-654-8210
Web Site: www.carlislefsp.com
#104803753

European Distribution Center:
Edisonstraat 84, P.O. Box 110
6900 AC Zevenaar, The Netherlands
Tel +31/(0)316-596550 • Telex 45642
FAX +31/(0)316-340168

CARLISLE
FoodService Products