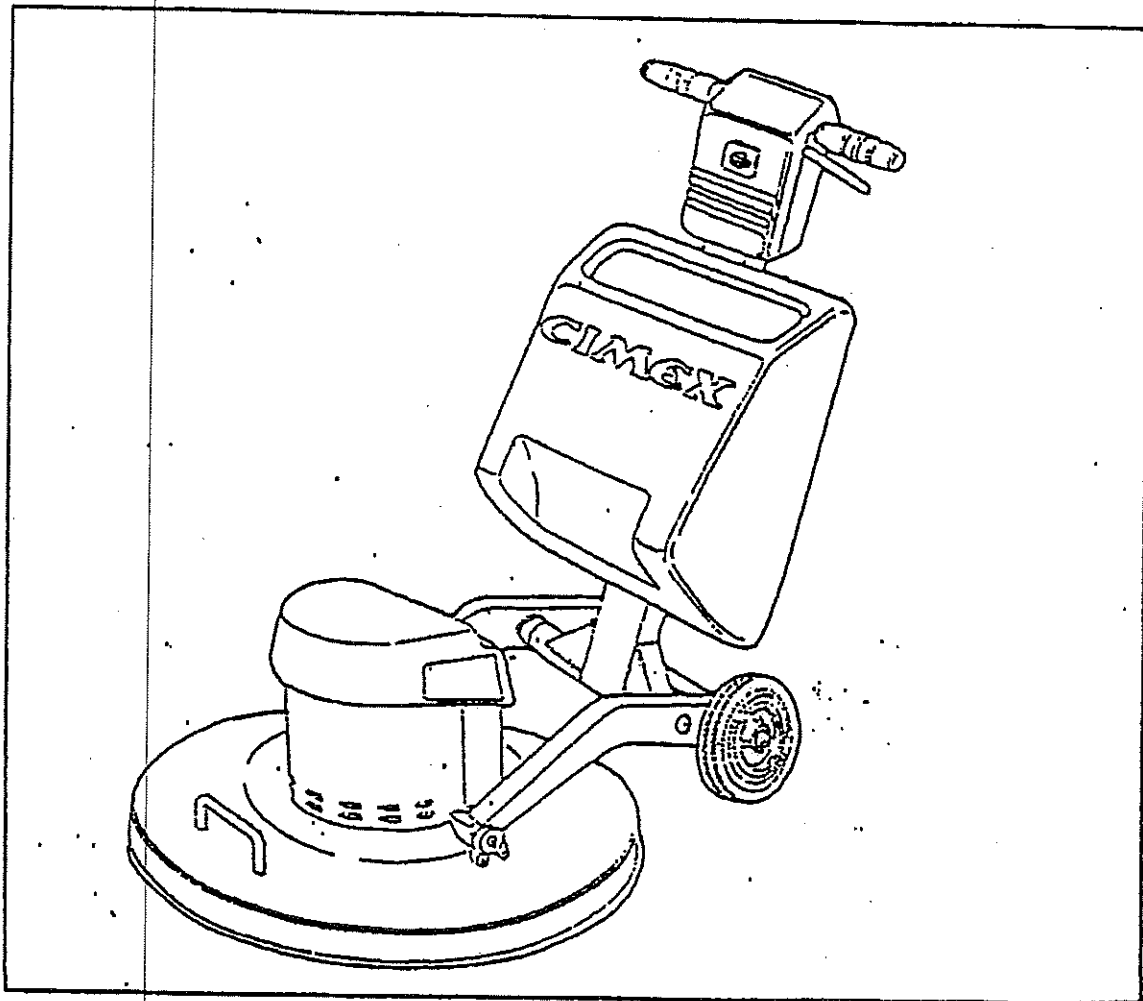


**CR76DF**  
**MAINS OPERATED**  
**SCRUBBER POLISHERS**  
**ILLUSTRATED PARTS LIST**



80224

ISSUE 01

## CR76 PARTS LIST

Part No 80224 Issue 01

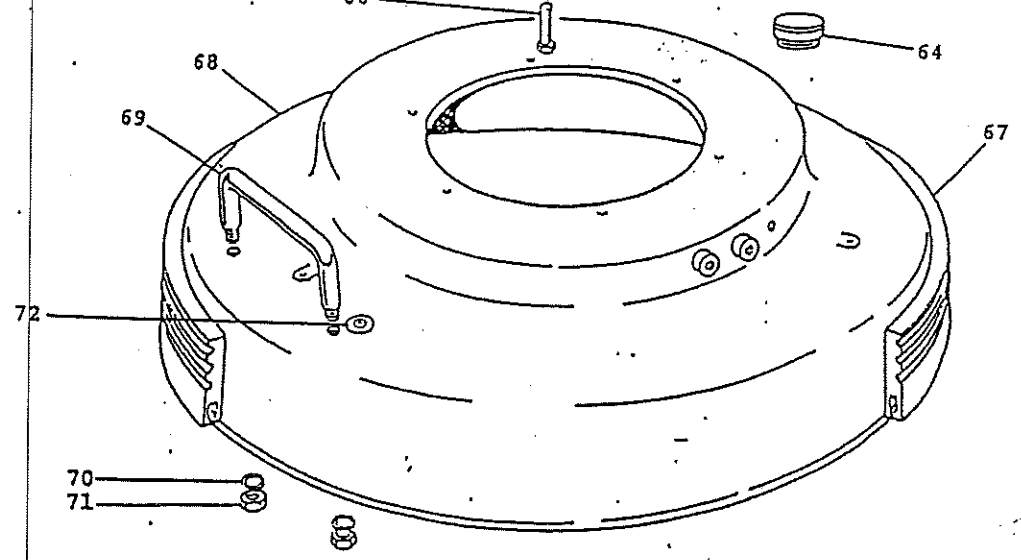
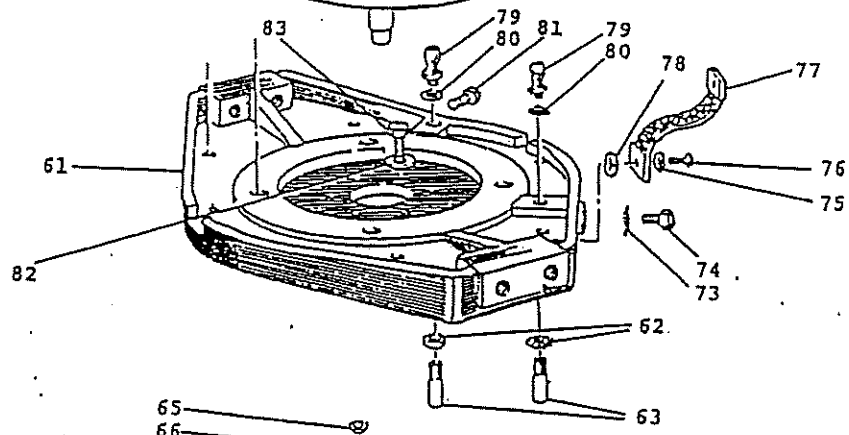
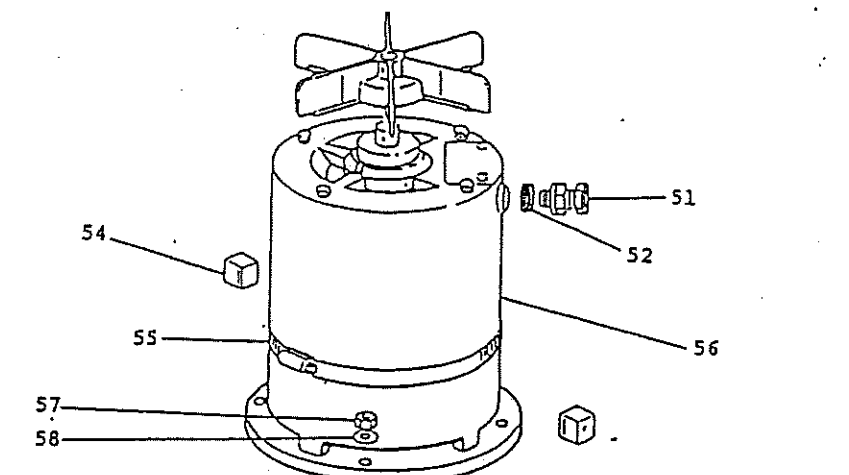
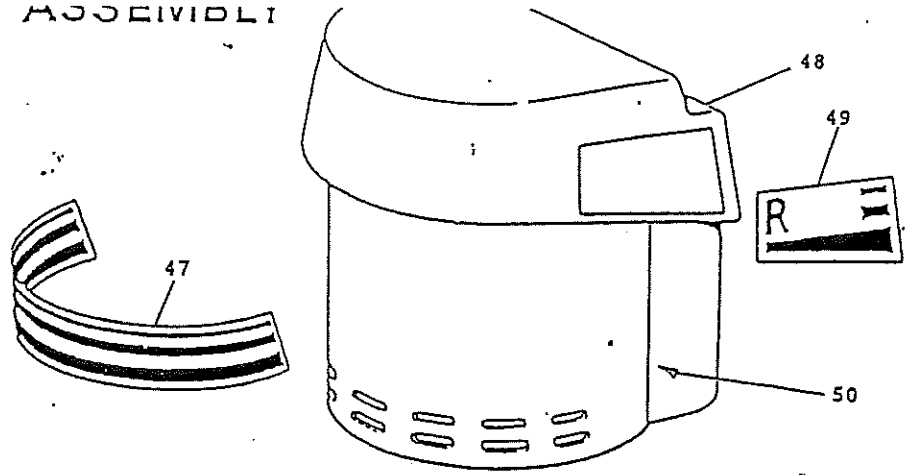
Page 1

KEY	DESCRIPTION	CIMEX PT NO	NO OFF
1	Locknut	1614	3
2	Water Feed Pipe	17505	3
3	PVC Tubing	13405	3
4	Water Feed Elbow	17504	3
5	Spigot Plate	40337	1
6	Oil Seal	9474	1
7	Circlip - internal	9456	1
8	EDU Bowl	17768	1
9	Brush Spindle	17815	3
10	Flat Washer	16359	3
11	Pin Collar	17511	3
12	Circlip - internal	9463	3
13	Dust Washer	9487	3
14	Bearing	9459	9
15	Spacer - internal	17863	6
16	Circlip - internal	9463	3
17	Oil Seal	9475	3
18	Spacer	9461	3
19	Locknut	9464	3
20	Brush Pulley	17752	3
21	Bearing	9454	2
22	Outer Bearing Spacer	17509	1
23	Inner Bearing Spacer	17510	1
24	Sealing Washer	9473	1
25	Circlip - external	9672	1
26	Socket Grub Screw	9400	2
27	Shaft Extension	17869	1
28	Drive Belt	17638	3
29	Rounded Ended Steel Key	16119	1
30	Centre Pulley	17755	1
31	Bottom Cover Spacer	17506	3
32	Cup Washer	9492	3
33	Csk Pozl Screw	99015	3
34	Bottom Cover Plate	17514	1
35	Washer	17549	1
36	Screw	9639	1
37			
38	Csk Pozl Screw	99015	12
39	Cup Washer	9492	12

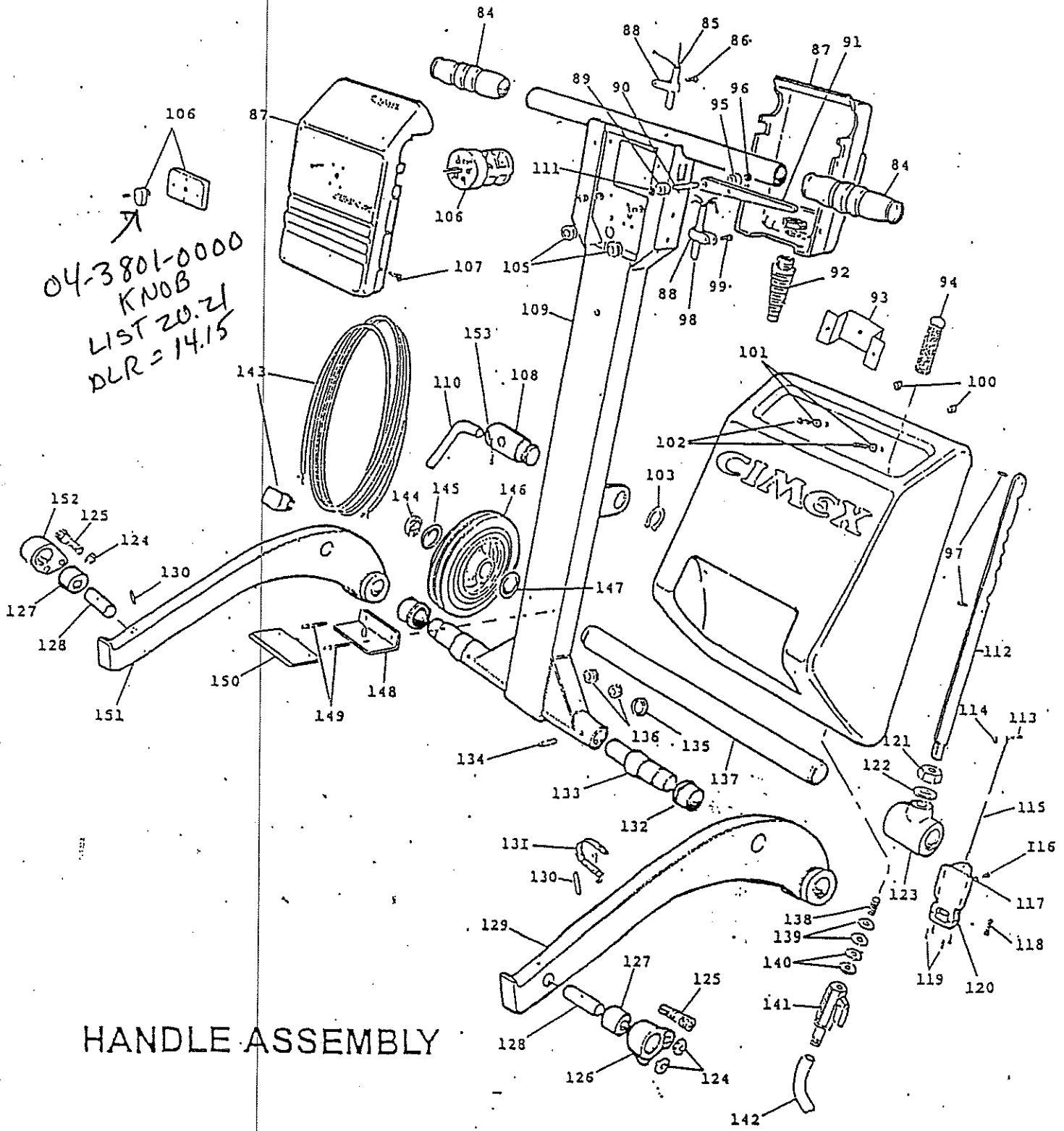
KEY	DESCRIPTION.	CIMEX PT NO	NO OFF
40	Brush Drive Pin	9465	12
41	Brush Pulley Carrier	17865	3
42			
43	Screw	11051	6
44			
45	Spacer	17787	3
46	Decal "Cyclone"	3629	1
47	Decal	3628	1
48	Motor Hood	40035	1
49	Label	3627	1
50	Pan Hd Screw	8131	2
51	Cable Gland 20mm	8065	1
52	Locknut 20mm	9062	1
53			
54	Motor Shield Fixing	40121	2
55	Hose Clip 7.5"	17711	1
* 56	Motor	12580	1
57	Locknut M10	28104	4
58	Washer	40128	4
* <del>59</del> 56	Motor U.S.A. 110 volt 50/60 (Hz Plan No. 56)	12584	1
60			
61	Motor Mounting Plate	17766	1
62	Brass Locknut 1 1/8 BSP	1614	2
63	Water Feed Pipe	17505	2
64	Bung	17822	1
65	Washer int shakeproof M10	9675	4
66	Hex hd set Screw M10x30	9816	4
67	Bumper Rubber	40008	2.5m
68	Bumper Shield	40041	1
69	Lift Handle	9885	1
70	Washer int shakeproof M8	8582	2
71	Full Nut M8	29066	2
72	Washer M8	26137	2
73	Fibre Washer	9296	2
74	Gas Plug	9369	1
75	Washer shakeproof	26079	1
76	Screw	11061	1
77	Earth Braid	8138	1
78	Washer shakeproof	26079	1
79	Brass Nozzle	9368	2
80	Fibre Washer	9296	2
81	Gas Plug	9369	1
82	Spring Washer	20122	6
83	Screw M8x16	20135	6

KEY	DESCRIPTION	CIMEX PT NO	NO OFF
84	Handle Grip	40007	2
85	Crimp Connectors	26366	8
86	Screw pan hd M3x10	28856	1
87	Switch Enclosure	40047	1
88	P Clip	9331	1
89	Spacer Lever	40057	2
90	Pivot Pin	40058	2
91	Water Valve Lever	40050	1
92	Cable Restraint	40110	1
93	Tank Bracket	40082	1
94	Strylon Filter	16261	1
95	Spacer Lever	40057	2
96	Starlock Washer	18031	3
97	Sellock Pin	16186	2
98	Cable 5 core	13394	2m
99	Screw pan hd M3x10	28856	1
100	Nyloc Nut	21876	2
101	Washer	28946	2
102	Steel Bolt	6841	2
103	Circlip	6010	1
104			
105	Grommet	40055	2
106	Rotary Switch	40119	1
107	Plastic Screw M5x16	40078	6
108	Pivot	9749	1
109	Handle	40015	1
110	Locking Handle	9654	1
111	Starlock Washer	18031	3
112	Swivel Clamp Rod	40009	1
113	Plastic Screw M5x16 black	40113	1
114	Plastic Nut M5 black	40114	1
115	Water Valve Operating Rod	40053	1
116	Pozi pan hd Screw M4x8	6841	4
117	Washer 4mm	26078	4
118	Spring	40051	1
119	Pozi csk Screw no.4x 5/8"	40052	4
120	Water Valve	40044 ✓	1
121	Locknut M12	9666	1
122	Washer 12mm ID	9694	1
123	Tee Piece	40062	1
124	Washer 10mm ID	20084	4
125	Skt hd cap Screw M10x30	29520	4
126	Pivot Bracket L/H	9354	1
127	Clayflex Bearing	9387	2
128	Pivot Pin	9728	2

KEY	DESCRIPTION	CIMEX PT NO	NO OFF
129	Lifting Fork L/H	61479	1
130	Sellock Pin	16089	2
131	Tinned Copper Braid	8138	2
132	Nylon Bush	9017	2
133	Cross Tube Stud	40049	2
134	Sellock Pin	38056	2
135	Hole Plug	40090	1
136	Grommet	40055	2
137	Axle	17603	1
138	Valve Insert	40333	1
139	Brass Washer	8121	2
140	Brass Locknut	8120	2
141	Brass Water Valve	40318	1
142	Hose	40059	1
143	Cable 3 core mains	13385/R	15m
144	Starlock Hub Cap	9556	2
145	Washer 1 7/8" OD x 1" ID	10166	2
146	Wheel	17531	2
147	Washer 1 7/8" OD x 1" ID	10166	2
148	Tank Bracket	40091	1
149	Pop Rivet	8439	2
150	Tank Pad	40054	1
151	Lifting Fork R/H	61480	1
152	Pivot Bracket R/H	9354	1
153	Set Screw	9662	1



04-3801-0000  
KNOB  
LIST 20.21  
DLR = 14.15



HANDLE ASSEMBLY

