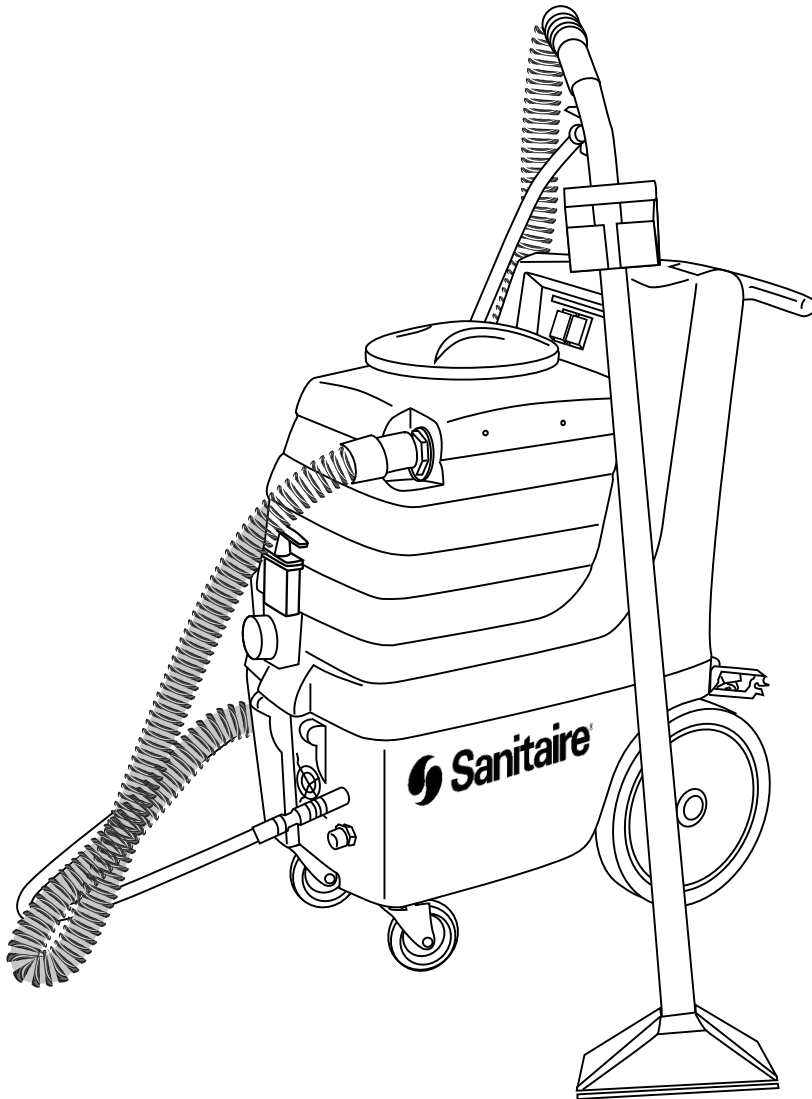




Sanitaire®

Commercial Carpet Extraction Cleaner Owner's Guide SC6080 Series



Index

Important Safeguards	2
Service Information	3
Identify Parts	3
Use	4
Trouble Shooting	5
Warranty	5

www.sanitairevac.com

To view the **repair parts list**, go to www.sanitairevac.com or call 1-800-800-8975 for a copy.

For location of nearest **Sanitaire Warranty Station** or service information call 1-800-800-8975.

IMPORTANT SAFEGUARDS

When using an electrical appliance, basic precautions should always be followed, including the following:

READ ALL INSTRUCTIONS BEFORE USING THIS VACUUM CLEANER.

WARNING

To reduce the risk of fire, electric shock, or injury.

- Use indoors only.
- **Do not leave vacuum cleaner when plugged in.** Turn off the switch and unplug the electrical cord when not in use and before servicing.
- Do not allow to be used as a toy. Close attention is necessary when used by or near children.
- Use only as described in this manual. Use only manufacturer's recommended attachments.
- Do not use with damaged cord or plug. If vacuum cleaner is not working as it should, has been dropped, damaged, left outdoors, or dropped into water, return it to a service center before using.
- Do not pull or carry by cord, use cord as a handle, close a door on cord, or pull cord around sharp edges or corners. Do not run vacuum cleaner over cord. Keep cord away from heated surfaces.
- Connect to a properly grounded outlet only (refer to Grounding Instructions).
- Do not use extension cords or outlets with inadequate current carrying capacity.
- Turn off all controls before unplugging.
- Do not unplug by pulling on cord. To unplug, grasp the plug, not the cord.
- Do not handle plug or vacuum cleaner with wet hands.
- Do not put any object into openings. Do not use with any opening blocked; keep free of dust, lint, hair, and anything that may reduce airflow.
- This vacuum cleaner creates suction. Keep hair, loose clothing, fingers, and all parts of body away from openings and moving parts.
- Do not pick up anything that is burning or smoking, such as cigarettes, matches, or hot fireplace or barbeque ashes. Live sparks or embers could start a fire in waste material inside the tank.
- Do not use without ball float and cage in place.
- Use extra care when cleaning on stairs.
- If the machine tips over during use, shut it off immediately, set it upright, and wait for the motor to stop completely. This allows the ball float to return to normal position and permits proper airflow through the cleaner.
- Do not use to pick up flammable or combustible liquids such as gasoline, or use in areas where they may be present.
- Store your cleaner indoors and in a cool, dry area.
- Keep your work area well lighted.
- Unplug electrical appliances before vacuuming them.
- Do not use any cleaners marked flammable or combustible.

SAVE THESE INSTRUCTIONS

Grounding Instructions

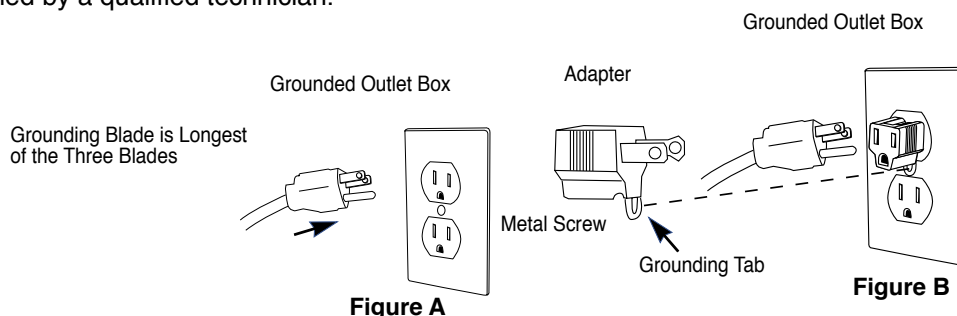
This appliance must be grounded. If it should malfunction or breakdown, grounding provides a path of least resistance for electric current to reduce the risk of electric shock. This appliance is equipped with a cord having an equipment-grounding conductor and grounding plug. The plug must be plugged into an appropriate outlet that is properly installed and grounded in accordance with all local codes and ordinances.

DANGER

Improper connection of an equipment-grounding conductor can result in risk of electric shock. Check with a qualified electrician or service person if you are in doubt as to whether the outlet is properly grounded. Do not modify the plug provided with the appliance. If it will not fit the outlet, have proper outlet installed by a qualified technician.

This appliance is for use on a nominal 120 volt circuit and has a grounding plug that looks like the plug illustrated in Figure A. A temporary adapter which looks like the adapter illustrated in Figure B may be used to connect this plug to a two-pole receptacle, as shown, if a properly grounded outlet is not available. The temporary adapter should be used only until a properly grounded outlet, Figure A, can be installed by a qualified electrician. The green colored rigid ear, lug, or the like extending from the adapter must be connected to a permanent ground such as a properly grounded outlet box cover. Whenever the adapter is used, it must be held in place by a metal screw.

NOTE: In Canada, the use of a temporary adapter is not permitted by the Canadian Electrical Code.



GENERAL INFORMATION

Automatic Suction Shut-Off

NOTE: Use the vacuum in the upright position. If the cleaner should tip, the automatic suction shut-off turns off the suction.

The automatic suction shut-off functions when the tank is full of liquid. As the tank fills, the ball float (inside the cage) rises until it seats itself against the motor inlet. This shuts off the suction causing the motor sound to become higher in pitch. When this happens, empty the tank.

The automatic suction shut-off also functions if the cleaner tips over. To continue use, turn cleaner off and set it upright. Wait a few seconds to allow motor to come to a complete stop so the ball drops. Restart the motor.

Use this vacuum for wet pickup only.

Service Information

The instructions in this booklet serve as a guide to routine maintenance. For additional service information, telephone our toll free number for the nearest Sanitaire Authorized Warranty Station. **You should know the model, type and serial numbers when you call:**

USA: 1-800-800-8975
Mexico: 5670-6169
Canada: 1-800-800-8975

If you prefer, you can write to Electrolux Home Care Products North America, Service Division, 807 North Main Street, Bloomington, Illinois 61701, USA. In Canada, write to Electrolux Home Care Products Canada, 866 Langs Drive, Cambridge, Ontario N3H 2N7. Refer to The Sanitaire Warranty for complete service information.



DO NOT OIL the motor at any time. Bearings have a seal and are permanently lubricated.

Rating Plate

The model, type and serial numbers are on the rating plate, located on the back of the unit. For prompt and complete service information, always refer to these numbers when inquiring about service.

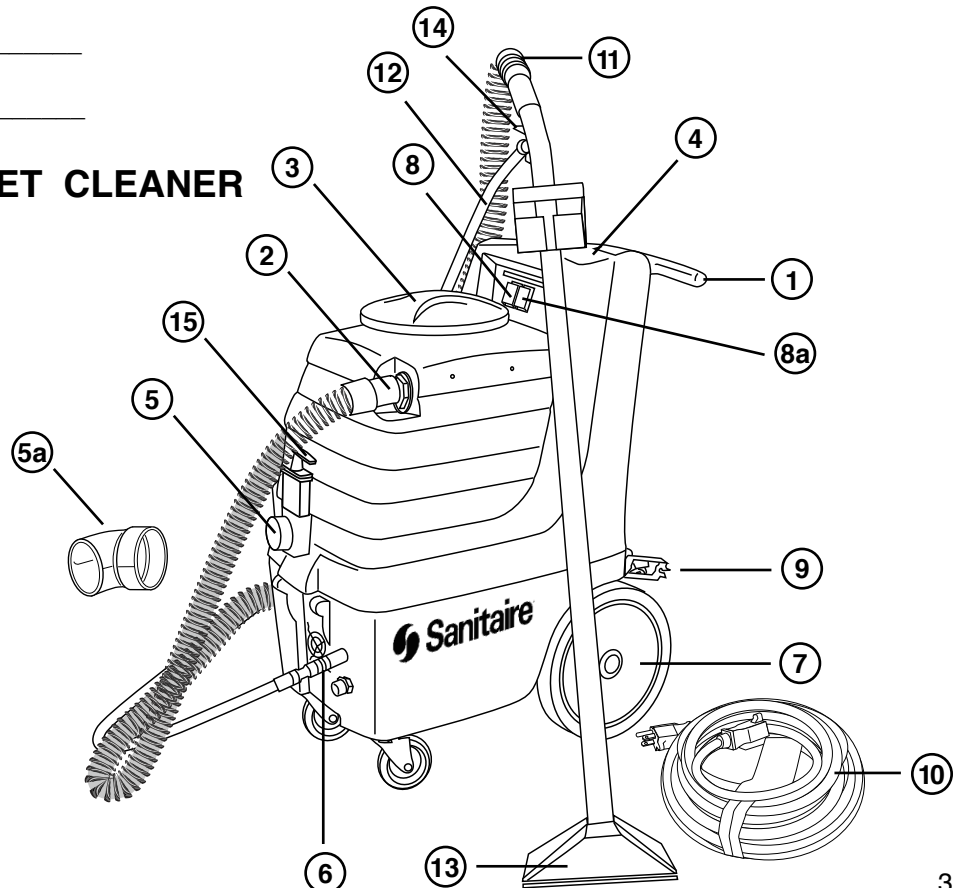
MODEL	TYPE	SERIAL NO.
VOLTS	AMPS.	HERTZ
SERVICE INFORMATION: 1-800-800-8975		
Sanitaire		
BLOOMINGTON, ILLINOIS 61701		

Model and Type: _____

Serial No. _____

IDENTIFY PARTS OF CARPET CLEANER

1. Handle
2. Hose Inlet
3. Recovery Tank Lid
4. Solution Tank Lid
5. Drain Outlet
- 5a. Drain Outlet Diverter
6. Solution Hose Connection
7. Rear Wheels
8. Vacuum Switch
- 8a. Pump Switch
9. Power Cord
10. Extension Cord
11. Suction hose
12. Solution hose
13. Cleaning Nozzle (12" Wand)
14. Solution Trigger
15. "T" Handle



ASSEMBLY

- You will find the drain outlet diverter, a black plastic 45-degree elbow, inside the machine. Place this elbow on the drain valve on the front of the unit. The elbow will direct the flow of recovered water downward.

HOW TO USE

Fill Solution Tank

CAUTION: Use only commercially available carpet and upholstery cleaners intended for machine applications.

Remove solution tank lid and fill with mixture of water and extraction detergent. (Follow recommended mix ratio on extraction detergent label.)

NOTE: Do not overfill.

Attach Vacuum Hose Coupling

- Push the hose coupling into the hose inlet.
- Give a slight twist to secure.

Attach Solution Hose Fitting

- Make sure the quick disconnects snap together firmly. As you do this, always inspect hoses for cracks, fraying or leaks. Do not use if hoses are damaged.

Connect Power Cord

CAUTION: To reduce the risk of electric shock, do not lay cord on any wet surfaces.

- Attach power cord to extension cord provided.
- Plug extension cord into outlet.

Power Switches

The power switches are located on the top of the unit.

- Wear ear protection (not provided) if operating the cleaner for a prolonged period of time.
- Push vacuum switch to turn on.
- Push pump switch to turn on.

Prime Pump

- Take the cleaning nozzle and hold it over a bucket or drain. Pull the solution trigger so that the valve is now open and fluid can start flowing through the machine and hoses. You will notice air coming out first. This is normal. Keep the line open until there is no more air, and solution is flowing steadily.

Begin Cleaning

- Turn on the vacuum switch and the pump switch. With the cleaning nozzle and hose in hand you may begin cleaning. By pulling the solution trigger, you will dispense the solution onto the desired area. Because the vacuum is on, the fluid will quickly be sucked back into the cleaning nozzle. You will notice that the area you have just cleaned will be damp. This is normal.

Tips:

If used to clean up spills or messes, clean up as much of the spill or mess using paper towels before final cleaning with the cleaner. If used on fine fabrics or upholstery, test for color fastness in an inconspicuous place before cleaning.

Automatic Shut-Off

NOTE: Always use the wet vacuum cleaner in the upright position. If cleaner tips over, the suction automatically shuts off.

If the cleaner tips over:

- Turn off both switches and set the cleaner upright.
- Wait a few seconds for the motor to come to a complete stop.
- Restart the motor.

When the tank is full:

- As the tank fills with liquid, the ball float (inside the cage) rises until it seats itself against the motor inlet.
- The motor sound becomes a high pitch sound.
- The shut-off stops the suction.
- Turn off the power switch.
- Empty the tank (instructions follow).

Empty Tank

CAUTION: Turn off the power switch and unplug electrical cord to service.

- Lift the hose and drain any liquid back into the tank.
- Empty contents into a suitable drain by pulling on the "T" handle above the drain port. (See page 3.)
- Use special care when emptying full tanks with liquids. Pulling the "T" handle completely open can result in a sudden rush of liquid.
- Close "T" handle valve to continue cleaning.

Clean and Store

NOTE: Turn off both switches and unplug electrical cord before cleaning tank.

- Empty tank of all liquid and thoroughly rinse inside before storing.
- Clean and dry tank and all accessories.
- Store indoors in a cool, dry area.

TROUBLESHOOTING

SYMPTOM: Unit will not turn on.

Problem: Not plugged in.
Solution: Plug machine in proper outlet.

Problem: Circuit breaker has popped.
Solution: Reset circuit breaker. Make sure no other items are running on the same circuit as machine. Outlet must be a 20-amp circuit.

Problem: Power cord has become disconnected from extension cord.
Solution: Reattach power cord to extension cord.

SYMPTOM: Pump is not running properly.

Problem: Power cord and extension cord are not completely locked together.
Solution: Snap firmly together.

Problem: Jets on wand are clogged.
Solution: Clean jet with soft wire brush or remove jet and flush clean.

Problem: The solution tank is empty.
Solution: Fill the solution tank up with a pre-mixed detergent.

Problem: Pump is pulsating.
Solution: Tighten all hoses. Check for leaks.

Problem: Pump is not running.
Solution: Push pump switch.

SYMPTOM: Vacuum motor not working properly.

Problem: Hose not connected tightly to wand or machine.
Solution: Connect hose tightly.

Problem: Hose is clogged with hair, carpet fibers and/or debris.
Solution: Clean hose.

Problem: Drain plug is not shut completely.
Solution: Close drain plug completely.

Problem: Vacuum tank lid is not on tightly.
Solution: Secure the vacuum tank lid on tightly.

Problem: Vacuum hose is cracked or split.
Solution: Replace vacuum hose.

Problem: Water is coming out of the vacuum motor.
Solution: Use a low foaming detergent.

SANITAIRE COMMERCIAL EQUIPMENT LIMITED WARRANTY Carpet and Spot Cleaners (Excludes Vacuums)

Your equipment, which has been manufactured, tested and inspected with carefully specified engineering requirements, is warranted to be free from defects in material and workmanship. This Limited Warranty is, however, subject to the following qualifications, conditions and limitations which are set forth to provide you and all users of the equipment with information concerning the duration, extent, availability and applicability of the Limited Warranty, the procedure to be taken to obtain its performance, and other information concerning the Limited Warranty policy.

The Limited Warranty is extended to original end user as follows:
One year parts replacement and 1 year service labor warranty.

This Limited Warranty will not cover damage attributable to the following:

- (1) Improper, unreasonable or negligent use or abuse of the equipment.
- (2) Abrasions or punctures of the equipment.

The start date of the Limited Warranty coverage shall be the purchase date of the original end user or six months from the date the machine was shipped from the Factory, whichever comes first.

PARTS OF EQUIPMENT NOT COVERED BY THE LIMITED WARRANTY

Certain parts of equipment require replacement in the ordinary course of use due to normal wear by reason of their characteristics. Normal wear items such as gaskets, wheels, cords, hoses, switches, filters, bearings, carbon brushes, solenoids, o-rings, thermostats, electrical terminals and casters are excluded from the Limited Warranty.

EXCEPTIONS AND EXCLUSIONS FROM THE LIMITED WARRANTY

This equipment is required to be used on electric current as indicated on the data plate. Otherwise damage, defects, malfunctions or other failure of the equipment arising from use on electric current not as indicated are excepted and excluded from this Limited Warranty. Defects, malfunctions, failure or damage of the equipment caused by improper, unreasonable or neglectful use or abuse while in possession of the purchaser are likewise excluded from this warranty. If repair is done on your equipment by anyone other than those designated as an authorized Warranty Center, THE MANUFACTURER at its sole option, may determine that this warranty will not apply and the reimbursement for such repair will not be made.

PROCEDURE TO BE TAKEN TO OBTAIN PERFORMANCE OF LIMITED WARRANTY REPAIR

To secure repair of the equipment or any warranted parts under this Limited Warranty, the following procedure should be taken. The inoperative equipment or warranted parts, together with satisfactory evidence of the purchase date, must be delivered, with shipping and delivery charges prepaid, to one of the following:

- 1) The dealer from whom purchased;
- 2) Any authorized service station.

If you are unable to locate any of the foregoing, you may write or otherwise communicate to THE MANUFACTURER before repair service is performed by anyone else. In such event, THE MANUFACTURER will provide either the location of a closely available authorized distributor service department, or authorized warranty station or other factory instructions. Upon compliance with the above procedure, all warranted defects will be repaired, at no additional charge or costs to the customer, and the repaired product returned to the customer. All shipping charges will be the responsibility of the product owner. In following the procedures set forth, PLEASE MAKE CERTAIN to state the model, type and serial number as shown on the data plate of the equipment.

REPLACEMENT

In the event of a defect, malfunction or failure of your equipment or any warranted part to conform with this warranty, THE MANUFACTURER may, at its sole option and own expense, replace the equipment or any warranted part with another new identical or reasonably equivalent model or part in lieu of repairing the defect.

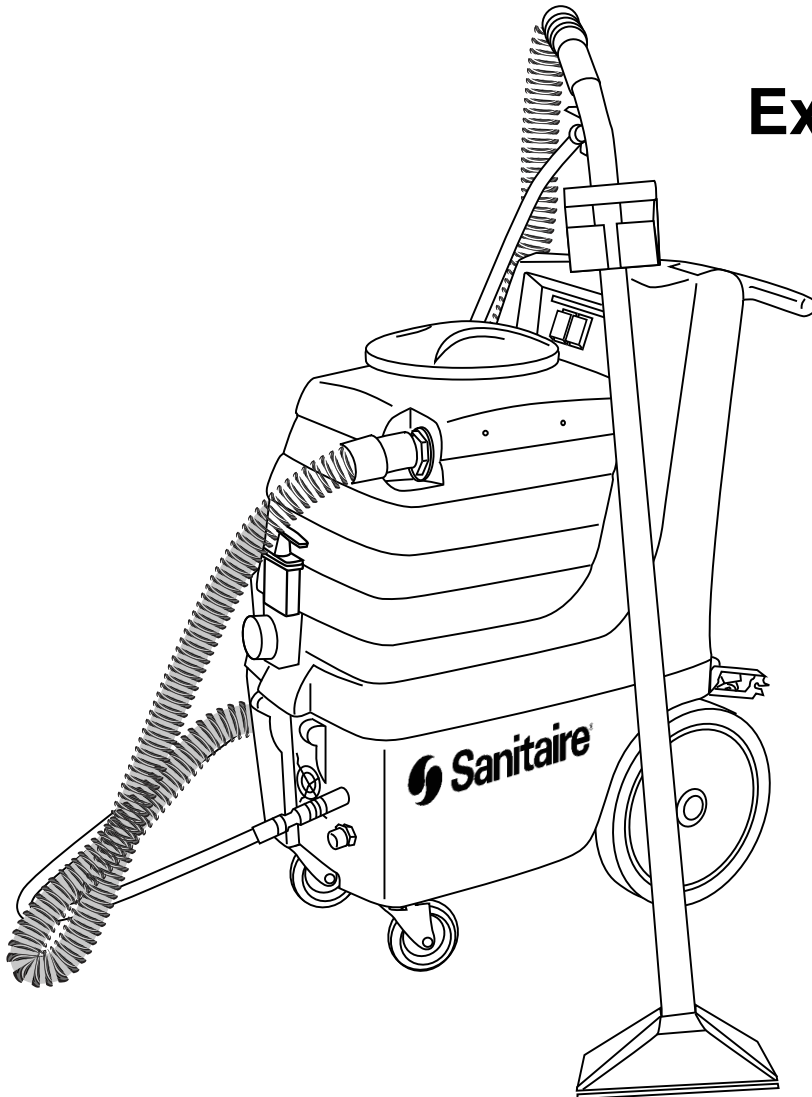
NO REFUND OF PURCHASE PRICE

THE MANUFACTURER will not, as a matter of its Limited Warranty policy, refund the customer's purchase price.

Be certain that the Warranty Station is "Sanitaire Authorized." For the location of the nearest Sanitaire Authorized Warranty Station or for service information, see us a www.sanitairevac.com or telephone toll free: 1-800-800-8975.

Sanitaire®

Guía del propietario de la Aspiradora Extractora Comercial Serie SC6080



Índice

Importante para su seguridad	2
Información sobre servicio de repuestos y partes	3
Identifique las partes	3
Uso	4
Resolviendo problemas	5
Garantía	5

www.sanitairevac.com

Para ver y obtener una copia de la **lista de partes para reparaciones**, vaya a www.sanitairevac.com o llame al 1-800-800-8975.

Para obtener la dirección del centro más cercano que atiende cuestiones de **Garantía de Sanitaire** o del servicio de reparaciones y partes llame al 1-800-800-8975.

IMPORTANTE PARA SU SEGURIDAD

Hay precauciones básicas a tomar siempre que se usa un aparato eléctrico, incluyendo las siguientes:

LEA TODAS LAS INSTRUCCIONES ANTES DE USAR ESTA ASPIRADORA

PRECAUCIÓN

Para reducir el riesgo de incendio, descarga eléctrica o lesiones:

- Use solamente bajo techo.
- **No deje enchufada la aspiradora cuando no la esté usando.** Apague el interruptor de corriente (OFF) y desenchufe el cordón eléctrico cuando no esté en uso y antes de limpiarla.
- No deje que se use como un juguete. Es necesario prestarle especial atención al ser usada por niños o cerca de ellos.
- Use sólo como lo indica este manual. Use sólo los accesorios recomendados por el fabricante.
- No la use con el cordón o enchufe en mal estado. Si la aspiradora no funciona como debe, se ha caído, dañado, dejado a la intemperie o dejado caer en agua, devuélvala al centro de servicio de reparaciones y partes antes de volver a usarla.
- No la jale ni la lleve del cordón, ni use el cordón como un mango, no cierre puertas sobre el cordón, ni jale el cordón de modo que roce bordes filosos o esquinas. No pase la aspiradora sobre el cordón. Evite la proximidad del cordón a superficies calientes.
- Conéctela únicamente a un tomacorriente con conexión a tierra correcto (refiérase a las instrucciones para conexión a tierra).
- No use cordones eléctricos extras o tomacorrientes con menos capacidad de corriente que la necesaria.
- Apague todos los controles antes de desenchufarla.
- No la desenchufe jalando del cordón. Para desenchufarla, tome el enchufe, no el cordón.

- No toque el enchufe ni la aspiradora con las manos húmedas.
- No ponga ningún objeto en las aberturas. No la use si cualquiera de las aberturas está bloqueada; manténgala libre de polvo, pelusa, cabello y cualquier cosa que pueda reducir el paso del aire.
- Esta aspiradora crea succión. Mantenga cabello, ropa suelta, dedos y todas las partes del cuerpo lejos de las aberturas y las partes móviles.
- No aspire nada que se esté quemando o humeando, como ser: cigarrillos, fósforos (cerillos) o cenizas calientes de la chimenea o el asador. Las chipas o brasas podrían hacer arder los desperdicios dentro del tanque.
- No la use sin el flotador y el armazón en su lugar.
- Tenga cuidado especial al limpiar escalones.
- Si la máquina se cae de costado durante su uso, apáguela inmediatamente, vuelva a enderezarla, y espere que el motor se detenga completamente. Esto permite que el flotador vuelva a su posición normal y que pase el aire por la aspiradora.
- No la use para aspirar líquidos inflamables o combustibles tales como gasolina, ni en lugares donde puede haberlos.
- Guarde bajo techo en un lugar fresco y seco.
- Mantenga bien iluminada el área de trabajo.
- Desconecte los electrodomésticos antes de pasarles la aspiradora.
- No use limpiadores marcados inflamables o combustibles.

GUARDE ESTAS INSTRUCCIONES

INSTRUCCIONES PARA HACER CONEXIÓN A TIERRA

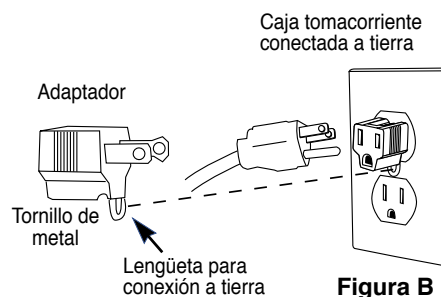
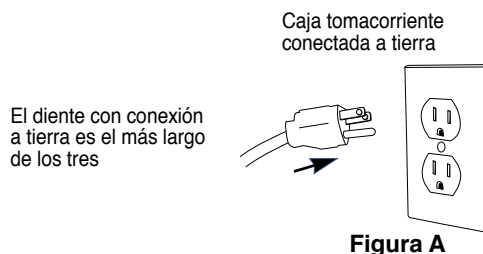
Este electrodoméstico debe estar conectado a tierra. Si falla o se descompone, la conexión a tierra brinda un paso de menor resistencia para la corriente eléctrica con el fin de reducir el riesgo de una descarga eléctrica. Esta máquina viene equipada con un cordón que tiene un conductor el cual conecta el equipo a tierra y un enchufe con conexión a tierra. El enchufe debe insertarse en un tomacorriente apropiado que esté correctamente instalado y conectado a tierra en conformidad con los códigos y ordenanzas locales.

PELIGRO

La conexión incorrecta del conductor que conecta el equipo a tierra puede significar un riesgo de descarga eléctrica. Consulte a un electricista o personal de servicio de reparaciones y partes calificado si tiene dudas con respecto a que el tomacorriente esté conectado a tierra correctamente. No modifique el enchufe que viene con la aspiradora. Si no entra en el tomacorriente, busque un electricista calificado para que instale el tomacorriente correcto.

Este electrodoméstico es para ser usado con un circuito nominal de 120 voltios y tiene un enchufe con conexión a tierra que se asemeja al adaptador en la Ilustración A. Se puede usar un adaptador temporario que se asemeja al adaptador que aparece en la Ilustración B para conectar este enchufe a un receptáculo de dos polos, tal como se ilustra, si no se cuenta con un tomacorriente con conexión a tierra. El adaptador temporario debe ser usado únicamente hasta que un electricista calificado pueda instalar un tomacorriente conectado correctamente a tierra, Figura A. La lengüeta verde, oreja o cosa similar que sobresale del adaptador debe ser conectada con una conexión a tierra permanente, tal como la tapa de una caja tomacorriente correctamente conectada a tierra. Siempre que se use el adaptador, se debe fijar en su lugar con un tornillo de metal.

NOTA: En Canadá, el Código Canadiense de Electricidad no permite el uso de adaptadores temporarios.



INFORMACIÓN GENERAL

Corte automático de succión

NOTA: Use la aspiradora en la posición vertical. Si se cae de costado, el corte automático de succión apaga la succión.

El corte automático de succión funciona cuando el tanque de recuperación está lleno de líquido. Cuando se llena el tanque, el flotador (dentro del armazón) sube hasta que corta la succión provocando que el motor tenga un sonido más agudo. Cuando sucede esto, vacíe el tanque.

El corte automático de succión también entra en funcionamiento si la aspiradora se cae de costado. Para continuar usándola, apague la aspiradora y vuelva a enderezarla. Espere unos segundos para permitir que el motor se detenga completamente y baje el flotador. Vuelva a prenderla.

Use esta aspiradora únicamente para aspirar líquidos.

Información sobre servicio de reparaciones y partes

Las instrucciones en este manual son una guía para el mantenimiento diario. Para obtener información adicional sobre la oficina autorizada de garantía de Sanitaire, llame a nuestro número de teléfono gratuito. Debe saber los números de modelo, tipo y serie cuando llama:

USA: 1-800-800-8975

México: 5670-6169

Canadá: 1-800-800-8975

Si lo prefiere, puede escribirnos a: Electrolux Home Care Products North America, Service Division, 807 North Main Street, Bloomington, Illinois 61701, USA. En Canadá escriba a Electrolux Home Care Products Canada, 866 Langs Drive, Cambridge, Ontario N3H 2N7. Refiérase a la Garantía de Sanitaire donde encontrará información completa sobre el servicio de reparaciones y partes



NUNCA PONGA ACEITE EN EL MOTOR. Los cojinetes tienen un sello y están permanentemente lubricados.

Placa de datos

Los números de modelo, tipo y serie se encuentran en la placa de datos, localizada en la parte trasera de la máquina. Cuando llame por cualquier asunto relacionado con el servicio de reparaciones y partes, siempre refiérase a estos números

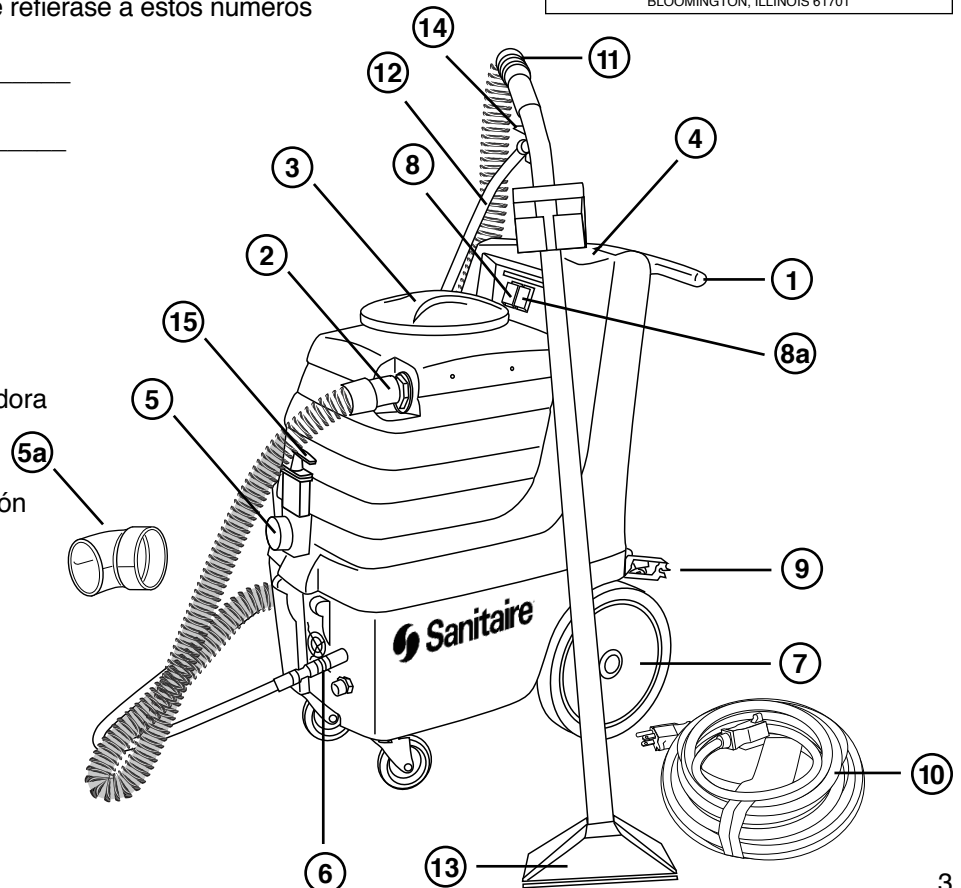
MODEL	TYPE	SERIAL NO.
VOLTS	AMPS.	HERTZ
SERVICE INFORMATION: 1-800-800-8975		
Sanitaire		
BLOOMINGTON, ILLINOIS 61701		

Modelo y Serie: _____

No. de Serie: _____

IDENTIFIQUE LAS PARTES DE SU ASPIRADORA

1. Mango
2. Entrada de la manguera
3. Tapa del tanque de recuperación
4. Tapa del tanque de solución limpiadora
5. Salida del drenaje
- 5a. Desvío de la salida del drenaje
6. Manguera de conexión de la solución
7. Ruedas traseras
8. Interruptor de la aspiradora
- 8a. Interruptor de la bomba
9. Cordón eléctrico
10. Cordón extra
11. Manguera de succión
12. Manguera de la solución
13. Boquilla para limpiar (tubo de 30 cm [12 pulgadas])
14. Gatillo para la solución
15. Manija "T"



ARMADO

- Dentro de la aspiradora se encuentra el desvío para la salida del drenaje: un codo plástico negro de 45 grados. Coloque este codo en la válvula del drenaje en la parte delantera de la máquina. El codo enviará hacia abajo el agua recuperada.

CÓMO USARLA

Llene el tanque de solución

PRECAUCIÓN: Utilice únicamente limpiadores comerciales de alfombras y tapizados que son para ser aplicados a máquina.

Quite la tapa del tanque de la solución y llénelo con una mezcla de agua y detergente extractor. (Coloque las proporciones recomendadas para la mezcla en la etiqueta del detergente extractor.)

NOTA: No lo llene demasiado.

Acople el acoplamiento de la manguera aspiradora

- Empuje el acoplamiento de la manguera dentro de la entrada de la manguera.
- Hágalo girar ligeramente para asegurarlo.

Acople la abrazadera de la manguera de la solución

- Asegúrese de que las conexiones rápidas queden firmemente encajadas juntas. Siempre que hace esto, inspeccione las mangueras para ver si están rajadas, desgastadas o si pierden. No use la máquina si las mangueras están dañadas.

Conecte el cordón eléctrico

PRECAUCIÓN: A fin de reducir el riesgo de una descarga eléctrica, no coloque el cordón en ninguna superficie mojada.

- Conecte el cordón eléctrico que viene incluido.
- Enchufe el cordón en un tomacorriente.

Interruptores de corriente

Los interruptores de corriente se encuentran en la parte superior de la aspiradora.

- Use protectores de oídos (no incluidos) si usa la aspiradora durante un tiempo prolongado.
- Oprima el interruptor de la aspiradora para prenderla.
- Oprima el interruptor de la bomba para prenderla.

Cebe la bomba

- Tome la boquilla limpiadora y sosténgala encima de un balde o drenaje. Jale el gatillo de la solución de modo que la válvula esté ahora abierta y el líquido pueda comenzar a pasar por la máquina y las mangueras. Notará que primero sale aire. Esto es normal. Mantenga abierta la línea hasta que no haya más aire y la solución fluya continuamente.

Empiece a limpiar

- Prenda el interruptor de la aspiradora y el interruptor de la bomba. Con la boquilla limpiadora y la manguera en mano, puede empezar a limpiar. Al jalar el gatillo de la solución, largará la solución al área deseada. Porque la aspiradora está prendida, el líquido será aspirado rápidamente dentro de la boquilla limpiadora. Notará que el área que acaba de limpiar está húmeda. Esto es normal.

Sugerencias:

Si la usa para limpiar sustancias que se han derramado, absórbalas lo más posible con toallas de papel antes de dar una limpieza final con la aspiradora. Si se usa sobre telas o tapizados finos, antes de limpiarlos haga una prueba en un lugar que no se note para ver si no destiñen.

Corte automático

NOTA: Siempre use la aspiradora mojada en la posición vertical. Si la aspiradora se cae de costado, la succión se corta automáticamente.

Si la aspiradora se cae de costado:

- Apague ambos interruptores y enderece la aspiradora.
- Espere unos segundos para que el motor se detenga completamente.
- Vuelva a prender el motor.

Cuando el tanque está lleno:

- A medida que el tanque se va llenando de líquido, el flotador (dentro del armazón) sube hasta asentarse contra la entrada del motor.
- El sonido del motor se hace más agudo.
- El corte detiene la succión.
- Apague el interruptor de corriente.
- Vacíe el tanque (instrucciones a continuación).

Vacíe el tanque

PRECAUCIÓN: Apague el interruptor de corriente y desenchufe el cordón eléctrico para limpiarlo.

- Levante la manguera y drene dentro del tanque el líquido que haya quedado.
- Vacíe el contenido en un drenaje apropiado jalando de la manija "T" arriba de la portilla del drenaje. (Ver página 3.)
- Tenga especial cuidado cuando vacíe tanques llenos de líquidos. Jalar la manija "T" de manera que se abre completamente puede resultar en una salida súbita de líquido.
- Cierre la válvula de la manija "T" para seguir limpiando.

Limpie y guarde

NOTA: Apague ambos interruptores y desconecte el cordón eléctrico antes de limpiar el tanque.

- Vacíe el tanque sacándole todo el líquido y enjuague a fondo el interior antes de guardar la aspiradora.
- Limpie y seque el tanque y todos los accesorios.
- Guarde bajo techo en un área fresca y seca.

RESOLVIENDO PROBLEMAS

SÍNTOMA: La máquina no se prende.

Problema: No está enchufada.

Solución: Enchufe la máquina en un tomacorriente apropiado.

Problema: Saltó el interruptor del circuito.

Solución: Vuelva a poner el interruptor de circuito. Asegúrese de que no haya otros ítemes en uso en el mismo circuito que la máquina. El toma corriente debe ser de un circuito de 20-amp.

Problema: El cordón eléctrico se ha desconectado del cordón extra.

Solución: Vuelva a conectar el cordón eléctrico con el cordón extra.

SÍNTOMA: La bomba no funciona correctamente.

Problema: El cordón eléctrico y el cordón extra no están totalmente encajados.

Solución: Encájelos firmemente el uno al otro.

Problema: Los surtidores en el tubo están tapados.

Solución: Limpie los surtidores con un cepillo de alambre blando o quite los surtidores y púrguelos hasta que estén limpios.

Problema: El tanque de la solución está vacío.

Solución: Llene el tanque de solución con un detergente pre mezclado.

Problema: La bomba está pulsando.

Solución: Apriete todas las mangueras. Chequee para ver si hay pérdidas.

Problema: La bomba no funciona.

Solución: Presione el interruptor de la bomba.

SÍNTOMA: El motor de la aspiradora no funciona correctamente.

Problema: La manguera no está conectada apretadamente al tubo a la máquina.

Solución: Conecte firmemente la manguera.

Problema: La manguera está obstruida con cabello, fibras de las alfombras y/o basura.

Solución: Limpie la manguera

Problema: El tapón del drenaje no está completamente cerrado.

Solución: Cierre completamente el tapón del drenaje.

Problema: La tapa del tanque de la aspiradora no está bien apretada.

Solución: Apriete bien la tapa del tanque de la aspiradora.

Problema: La manguera aspiradora está rajada o cortada.

Solución: Cambie la manguera aspiradora.

Problema: Sale agua del motor de la aspiradora.

Solución: Use un detergente que haga poca espuma.

GARANTÍA LIMITADA DE SANITAIRE PARA EQUIPOS COMERCIALES Limpiadoras de alfombras y manchas (Excluye aspiradoras)

Su equipo, que ha sido manufacturado, probado e inspeccionado de acuerdo con requisitos de ingeniería cuidadosamente especificados, se garantiza libre de defectos en los materiales y la obra de mano. No obstante, esta Garantía Limitada está sujeta a los siguientes derechos, condiciones y limitaciones que se establecen para brindarle a usted y a todos los usuarios del equipo con información respecto a duración, alcance, disponibilidad y aplicabilidad de la Garantía Limitada, el procedimiento a seguir para obtener su ejecución y otra información concerniente a la póliza de Garantía Limitada.

La Garantía Limitada se extiende al usuario final original de la siguiente manera:

Un año de garantía para repuestos y 1 año para mano de obra.

La Garantía Limitada no cubre los daños atribuibles a los siguientes:

(1) Uso indebido, irrazonable o negligente o maltrato del equipo.

(2) Abrasiones o perforaciones del equipo.

La fecha inicial de la cobertura de la Garantía Limitada será la fecha de compra del usuario original o seis meses desde la fecha en que la máquina fue despachada de la fábrica, sea cual fuere la primera.

PIEZAS DEL EQUIPO NO CUBIERTAS POR LA GARANTÍA LIMITADA

Ciertas piezas del equipo requieren reponerse en el curso común del uso debido al desgaste normal en razón de sus características. Se excluyen ítemes que se desgastan normalmente tales como válvulas, ruedas, cordones eléctricos, mangueras, interruptores, filtros, cojinetes, cepillos de carbón, solenoides, aros-O, termostatos, terminales eléctricos y rueditas.

EXCEPCIONES Y EXCLUSIONES DE LA GARANTÍA LIMITADA

Este equipo tiene que ser usado con la corriente eléctrica indicada en la placa de datos. En caso contrario, los daños, defectos, malfuncionamiento y otras fallas del equipo debido al uso de corriente eléctrica distinta a la indicada se exceptúan y excluyen de esta Garantía Limitada. Los defectos, malfuncionamientos, fallas o daños al equipo causados por un uso indebido, irrazonable o negligente o el maltrato mientras está en posesión del comprador también se excluyen de esta garantía. Si una reparación de su equipo es realizada por alguien no designado como un Centro autorizado de Garantía, EL FABRICANTE, a su sola discreción, puede determinar que esta garantía no se aplica y que no se reembolsará el pago por dicha reparación.

PROCEDIMIENTO A SEGUIR PARA OBTENER LA EJECUCIÓN DE UNA REPARACIÓN DENTRO DE LA GARANTÍA LIMITADA

Para obtener la reparación del equipo o de cualquier pieza garantizada bajo esta Garantía Limitada, Se debe seguir el siguiente procedimiento. El equipo o las piezas garantizados que no funcionan, junto con una evidencia satisfactoria de su fecha de compra debe ser entregada, con los gastos de envío y entrega pre pagados, a uno de los siguientes:

1) El distribuidor de quien se compró;

2) Cualquier centro autorizado de reparaciones y partes.

Si le es imposible localizar ninguno de los mencionados, puede escribir o comunicarse de alguna otra manera con EL FABRICANTE antes de que ningún otro lo repare. En dicho caso, EL FABRICANTE proporcionará la dirección de un departamento de servicio de repuestos y partes de un distribuidor autorizado cercano, o una oficina de garantía autorizada u otras instrucciones de fábrica. Al cumplir todos los procedimientos mencionados, los defectos que cuentan con garantía serán reparados sin cargo ni costos adicionales al cliente, y el producto reparado será regresado al cliente. Todos los cargos de envío son responsabilidad del dueño del producto. Al seguir los procedimientos explicados, POR FAVOR ASEGÚRESE DE mencionar el número de modelo, tipo y serie tal como aparecen en la placa de datos del equipo.

SUSTITUCIONES

En el caso de que algún defecto, malfuncionamiento o falla del equipo o de que cualquier pieza no se conforma a esta garantía, EL FABRICANTE podrá, a su sola discreción y a su cargo sustituir cualquier parte garantizada o equipo garantizado con otro nuevo idéntico o razonablemente equivalente al modelo o pieza en lugar de reparar el defecto.

NO SE REMBOLSA EL PRECIO DE COMPRA

EL FABRICANTE, de acuerdo con su póliza de Garantía Limitada, no reembolsará al cliente el precio de compra.

Asegúrese de que el Centro de Garantía sea "Autorizado por Sanitaire". Para obtener la dirección del centro más cercano que atiende cuestiones de Garantía de Sanitaire o del servicio de reparaciones y partes, visítenos en o llame gratis al: 1-800-800-8975.

**Sanitaire appareils commerciaux
Garantie limitée
Nettoyeurs de tapis et de tâches
(A l'exclusion des aspirateurs)**

Votre appareil, qui a été fabriqué, testé et inspecté selon des normes précises avec soin par l'industrie, est garantie contre tout défaut de matériel ou de fabrication. Cette garantie, toutefois, est sujette aux qualifications, conditions et limitations suivantes. Certaines données afin de vous donner, ainsi qu'à tous les utilisateurs de l'appareil, des renseignements concernant la durée, l'étendue, la disponibilité et l'applicabilité de la garantie limitée, aussi bien que la manière dont il faut se servir pour faire appliquer la garantie.

La garantie limitée s'étend au premier utilisateur de l'appareil de la manière suivante :

Un an pour le remplacement des pièces et un an pour l'assemblage.
La garantie limitée ne couvre pas les dommages ou défaillances occasionnelles par :

- (1) une négligence, un emploi abusif ou non conforme au Guide du propriétaire ;
- (2) abrasion ou perforation de l'appareil.

La garantie entre en vigueur le jour de l'achat par le consommateur, ou bien six mois après l'envoi de l'appareil de l'usine de fabrication. L'entrée en vigueur sera la première de ces deux dates.

PIECES NON COUVERTES PAR LA GARANTIE LIMITEE

Certaines pièces doivent être remplacées dans des conditions d'utilisation normales. Ces pièces, telles que joints, roues, cordons, boyaux, interrupteurs, filtres, paliers, balais en charbon, solénoïdes, anneaux, thermostats, bornes électriques et roulettes, ne sont pas couvertes par cette garantie.

EXCEPTIONS ET EXCLUSIONS DE LA GARANTIE LIMITEE

Cet appareil doit être utilisé avec le courant électrique indiqué sur la plaque signalétique. Les dommages et défaillances occasionnés par l'utilisation avec un courant électrique différent de celui indiqué sur la plaque signalétique sont exclus de cette garantie limitée. Les défauts, défaillances ou dommages par le consommateur, sont aussi exclus de cette garantie. Si vous faites faire une réparation par quelqu'un d'autre qu'un Centre service agréé Sanitaire, le fabricant peut décider que la garantie ne s'appliquera pas et qu'il n'y aura pas de remboursement pour cette réparation.

COMMENT FAIRE APPLIQUER LA GARANTIE LIMITEE

Pour obtenir une réparation de cet appareil ou de ses pièces couvertes par la garantie limitée, suivez les étapes suivantes. Envoyez l'appareil ou les pièces qui ne fonctionnent pas, accompagnés par des preuves convenables de la date d'achat, avec les frais d'expédition et de retour préparés à l'une des deux adresses suivantes :

- (1) Le magasin où vous avez acheté l'appareil ;
- (2) Un Centre service agréé par Sanitaire.

REMPACEMENT

Si vous ne pouvez pas trouver l'une de ces deux adresses, vous pouvez écrire ou communiquer autrement avec LE FABRICANT, avant d'entreprendre un travail de réparation chez quelqu'un d'autre. Dans ce cas, LE FABRICANT vous donnera soit l'adresse d'un atelier de service ou distributeur autorisé près de chez vous, un Centre service agréé par Sanitaire, ou d'autres instructions de réparés, sans charge ou frais supplémentaires au consommateur. L'appareil réparé sera renvoyé au consommateur. Tous les frais d'expédition seront à la charge du propriétaire de l'appareil. Lorsque vous suivez ces instructions, soyez sûr de mentionner les numéros de modèle, de type et de série indiqués sur la plaque signalétique de l'appareil.

IMPOSSIBILITE DE REMBOURSER LE PRIX DE L'ACHAT

Selon cette garantie limitée, LE FABRICANT ne remboursera jamais le prix de l'achat au consommateur.

Assurez-vous que le Centre service agréé est autorisé par Sanitaire. Pour savoir l'adresse du Centre service agréé Sanitaire le plus proche de votre maison, visitez notre site Web www.sanitairevac.com ou appelez sans frais le 1-800-800-8975.

DÉPANNAGE

Symptôme : L'appareil ne se met pas en marche.

Problème : L'appareil n'est pas branché.
Solution : Branchez l'appareil dans une prise convenable.

Problème : Le disjoncteur a sauté.
Solution : Remettez le disjoncteur et assurez-vous qu'aucun autre appareil ne fonctionne sur le même circuit que l'extracteur. La prise doit être sur un circuit de 20 amp.

Problème : Le cordon électrique s'est détaché de la rallonge.
Solution : Rattachez le cordon électrique à la rallonge.

Symptôme : La pompe ne fonctionne pas correctement.

Problème : Le cordon électrique et la rallonge ne sont pas bien attachés.
Solution : Attachez bien le cordon électrique et la rallonge.

Problème : Les jets de la lance sont encrassés.
Solution : Nettoyez les jets avec une brosse métallique douce ou enlevez les jets pour les nettoyer avec de l'eau.

Problème : Le réservoir au produit nettoyant est vide.
Solution : Remplissez le réservoir avec le produit nettoyant, mélange à l'eau.

Problème : La pompe vibre.
Solution : Serrez tous les tuyaux et cherchez une fuite éventuelle.

Problème : La pompe ne fonctionne pas.
Solution : Appuyez l'interrupteur de la pompe.

Symptôme : Le moteur d'aspiration ne fonctionne pas correctement.

Problème : Le tuyau n'est pas bien fixé à la rallonge ou à l'appareil.
Solution : Attachez bien le tuyau.

Problème : Le tuyau est encrassé avec des cheveux, des fibres de tapis et/ou des débris.
Solution : Enlevez les obstructions.

Problème : Le bouchon de la vidange n'est pas bien inséré.
Solution : Fermez complètement le bouchon de la vidange.

Problème : Le couvercle de la cuve n'est pas bien fermé.
Solution : Fermez bien le couvercle.

Problème : Le tuyau d'aspiration est déchiré ou fendu.
Solution : Remplacez le tuyau d'aspiration.

Problème : De l'eau sort du moteur d'aspiration.
Solution : Utilisez un produit nettoyant avec peu de mousse.

ASSEMBLAGE

- Vous trouverez le détournement du tuyau d'écoulement, un coude à 45 degrés en plastique noir à l'intérieur de l'appareil. Installez ce coude sur la valve d'écoulement au devant de l'appareil. Ce coude dirigera les eaux ramassées vers le bas.

MODE D'EMPLOI

Remplir le réservoir du produit nettoyant

- AVERTISSEMENT : Utilisez uniquement des produits commercialisés conçus pour le nettoyage des tapis et des capitonnages et pour l'application par machine.**
- Enlevez le couvercle du réservoir du produit nettoyant et remplissez le réservoir avec un mélange d'eau et de détergent pour l'extraction. (Suivez les indications données sur le produit concernant le mélange correct.)
- REMARQUE : Ne remplissez pas trop.**

Attacher le raccord du tuyau d'aspiration

- Insérez le raccord dans l'arrivée du tuyau.
- Tournez légèrement pour fixer.

Attacher le tuyau du produit nettoyant

- Assurez-vous que le tuyau est bien installé. Inspectez toujours les tuyaux pour des fissures ou des fuites. N'utilisez jamais l'extracteur si les tuyaux sont abîmés.

Connecter le cordon électrique

- AVERTISSEMENT : Pour réduire le risque de choc électrique ne posez jamais le cordon sur une surface mouillée.**
- Attachez le cordon électrique à la rallonge qui accompagne l'extracteur.
 - Branchez la rallonge.

Les interrupteurs

- Les interrupteurs se trouvent vers le haut de l'extracteur. Portez toujours une protection des oreilles si vous utilisez l'extracteur pour une période de temps prolongée.
- Appuyez sur l'interrupteur de l'aspiration pour mettre en marche.
 - Appuyez sur l'interrupteur de la pompe pour mettre en marche.

Amorcer la pompe

- Tenez la lance de nettoyage au dessus d'un seau ou d'une canalisation sanitaire. Tirez la détente du produit nettoyant afin d'ouvrir la valve pour que le liquide commence à couler dans l'appareil et les tuyaux. Vous remarquerez d'abord une sortie d'air. Ceci est normal. Gardez la ligne ouverte jusqu'à ce qu'il n'y ait plus d'air et que le produit coule constamment.

Commencer le nettoyage

- Appuyez sur l'interrupteur de l'aspiration et l'interrupteur de la pompe. Tout en tenant le tuyau et la lance de nettoyage dans votre main, vous pouvez commencer le nettoyage. Vous appliquerez le produit nettoyant sur l'endroit voulu en tirant sur la détente. Puisque l'aspiration est en marche, le produit sera vite aspiré dans la lance de nettoyage. Vous verrez que l'endroit que vous vénérez de nettoyer est humide. Ceci est normal.

Tuyaux :

Si vous utilisez l'extracteur pour nettoyer des liquides qui sont tombés par terre, travaillez d'abord avec une serviette en papier avant de faire un dernier nettoyage avec l'extracteur. Si vous utilisez l'appareil sur des tissus ou capitonnages de haute qualité, testez d'abord le produit nettoyant sur un endroit caché pour être sûr que le tissu ne se déteint pas.

La coupure automatique

REMARQUE : L'appareil doit toujours être dans la position debout lors de l'usage. Si pour quelque raison l'appareil se renverse, la coupure automatique de l'aspiration coupe l'aspiration.

Si l'appareil se renverse :

- Mettez les deux interrupteurs sur arrêt et remettez l'appareil sur pied.
- Attendez quelques secondes pour que le moteur s'arrête complètement.
- Remettez le moteur en marche.

Lorsque la cuve est pleine :

- La coupure automatique de l'aspiration fonctionne lorsque la cuve est pleine de liquide.
- Alors que la cuve se remplit, le flotteur (à l'intérieur de la cage) monte jusqu'à ce qu'il se coince contre l'arrivée du moteur.
 - Le bruit du moteur devient plus aigu.
 - A ce moment, l'aspiration est coupée automatiquement.
 - Mettez l'interrupteur sur arrêt.
 - Videz la cuve (instructions ci-dessous).

Vider la cuve

AVERTISSEMENT : Mettez l'interrupteur sur arrêt et débranchez le cordon électrique avant d'entreprendre tout travail d'entretien.

- Soulevez le tuyau et permettez au liquide qui reste de couler dans le réservoir.
- Videz la cuve dans une canalisation appropriée en soulevant la poignée en « T » en dessus du tuyau d'écoulement.
- Portez une attention spéciale lorsque la cuve est pleine. Si vous tirez complètement la poignée en « T », vous risquez de faire sortir trop vite les liquides.
- Fermez la valve de la poignée en « T » pour continuer le nettoyage.

Nettoyer et entreposer

- REMARQUE : Mettez les deux interrupteurs sur arrêt et débranchez le cordon électrique avant de nettoyer le réservoir.**
- Videz le réservoir complètement et rincez bien avant d'entreposer votre extracteur.
 - Nettoyez et séchez le réservoir et tous les accessoires.
 - Entrezposez à l'intérieur dans un endroit sec et frais.

RENSEIGNEMENTS GÉNÉRAUX

Coupure automatique de l'aspiration

NOTE : L'appareil doit toujours être dans la position debout lors de l'usage. Si pour quelque raison l'appareil se renverse, la coupure automatique de l'aspiration coupe l'aspiration.

La coupure automatique de l'aspiration fonctionne lorsque la cuve est pleine de liquide. Alors que la cuve se remplit, le flotteur à boule (à l'intérieur de la cage) monte jusqu'à ce qu'il se coince contre l'arrivée du moteur. A ce moment, l'aspiration est coupée et le bruit du moteur devient plus aigu. Il faut alors vider la cuve.

La coupure automatique de l'aspiration fonctionne également si l'extracteur se renverse. Pour continuer à utiliser l'appareil, mettez les commandes sur arrêt et remettez l'extracteur sur pied. Attendez quelques minutes pour permettre au moteur de s'arrêter complètement et au flotteur de retomber. Remettez alors le moteur en marche.

Cet extracteur est conçu uniquement pour l'aspiration de liquides.

Renseignements sur le service

Les instructions de ce livret vous serviront de guide pour l'entretien d'usage. Si un service plus important est nécessaire, composez le numéro ci-dessous, sans frais, pour demander l'adresse du Centre service agréé Sanitaire le plus proche de votre domicile. Soyez prêt à fournir les numéros de modèle, de type et de série lorsque vous appelez.

Aux Etats-Unis et au Canada : 1-800-800-8975

Au Mexique : 5670-6169

Si vous le préférez, vous pouvez aussi écrire à Electrolux Home Care Products North America, Service Division, 807 North Main Street, Bloomington, Illinois 61701. Au Canada, écrivez à Electrolux Home Care Products Canada, 866 Langs Drive, Cambridge, Ontario N3H 2N7. Consultez la Garantie Sanitaire pour les renseignements complets sur le service.



NE JAMAIS HUILER le moteur. Les paliers ont été lubrifiés et scellés à vie.

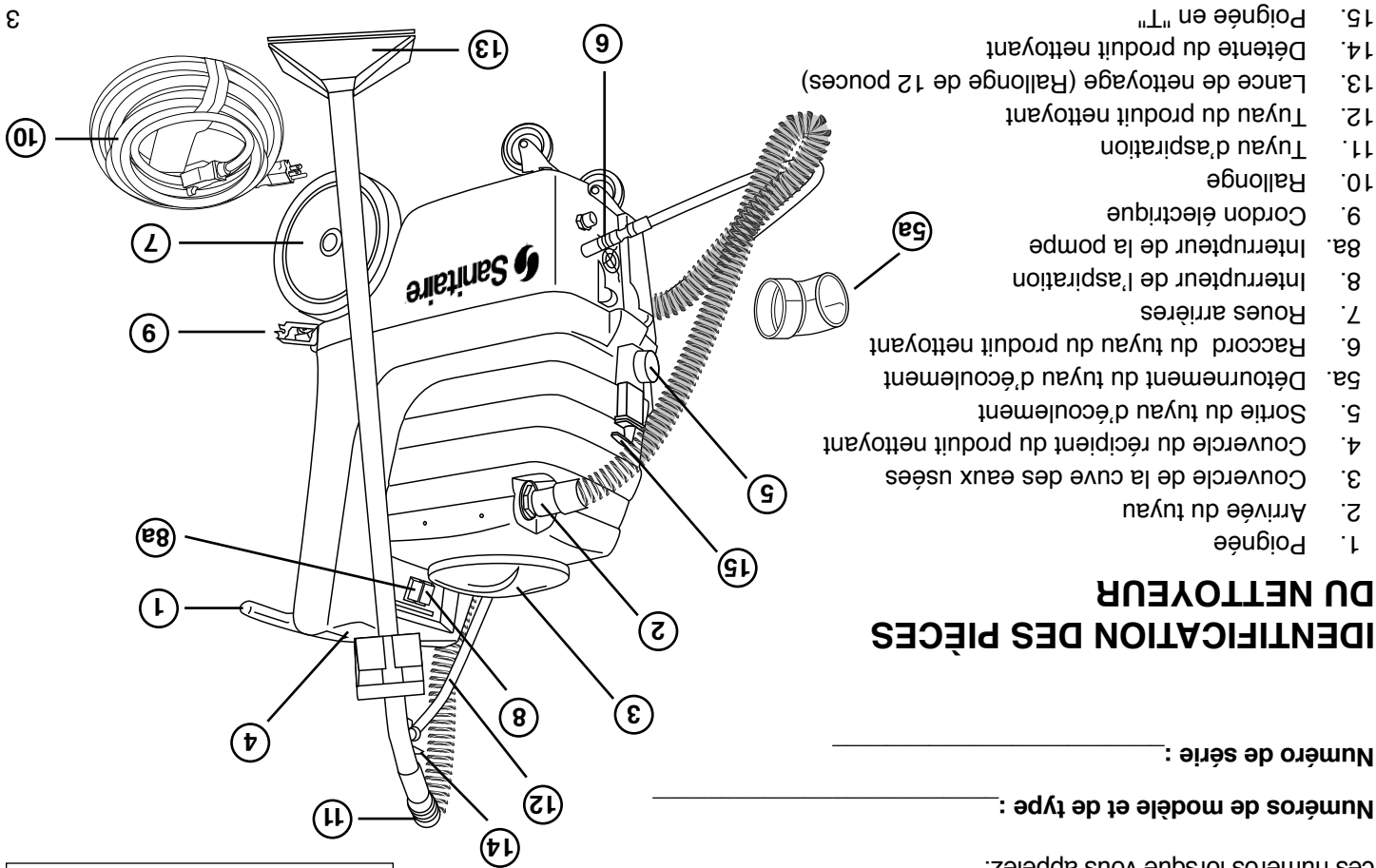
Plaque signalétique

Les numéros de modèle, de type et de série se trouvent sur la plaque signalétique, située au dos de l'appareil. Pour le service le plus rapide et complet, soyez toujours prêt à fournir ces numéros lorsque vous appelez.

Numéros de modèle et de type : _____

Numéro de série : _____

IDENTIFICATION DES PIÈCES DU NETTOYEUR



MODEL	TYPE	SERIAL NO.
VOLTS	AMPS	HERTZ
SERVICE INFORMATION: 1-800-800-8975		
Sanitaire		
BLOOMINGTON, ILLINOIS 61701		

IMPORTANTES MESURES DE SÉCURITÉ

Lors de l'utilisation d'un appareil électrique, quelques précautions élémentaires doivent être observées, incluant les suivantes :

LISEZ TOUTES LES INSTRUCTIONS AVANT D'UTILISER VOTRE EXTRACTEUR

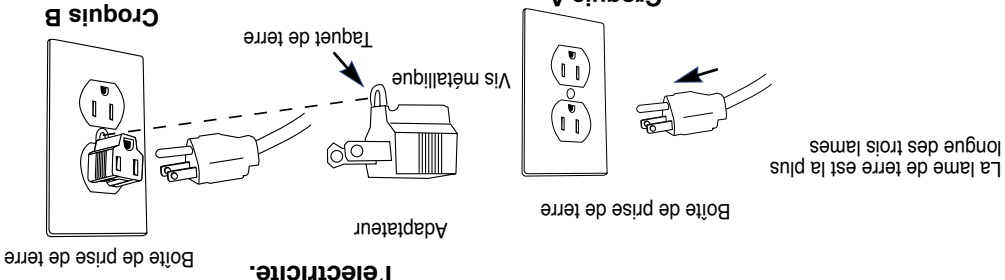
MISE EN GARDE

Pour réduire le risque de feu, de choc électrique ou de blessure :

- Utiliser cet appareil uniquement à l'intérieur.
- **Ne pas laisser l'appareil sans surveillance lorsqu'il est branché.** Mettre l'interrupteur sur arrêt (« OFF ») et débrancher le cordon électrique lorsque vous ne l'utilisez pas ou avant tout travail d'entretien.
- Ne pas permettre aux enfants de jouer avec l'appareil. Une attention particulière est nécessaire lorsqu'il est utilisé par ou près d'un enfant.
- N'utiliser que conformément à cette notice avec les accessoires recommandés par le fabricant.
- Ne pas utiliser si le cordon ou la fiche est endommagé. Si l'appareil ne fonctionne pas comme il le devrait, s'il est tombé ou endommagé, laissez à l'extérieur ou immergé, le retourner à un atelier de réparation avant de l'utiliser.
- Ne pas tirer, soulever ni traîner l'appareil par le cordon. Ne pas utiliser le cordon comme une poignée, le coincer dans l'embrasure d'une porte ou l'appuyer contre des arêtes vives ou des coins. Ne pas faire rouler l'appareil sur le cordon. Garder le cordon à l'écart des surfaces chaudes.
- Ne brancher qu'à une prise de courant avec mise à la terre. Voir les instructions visant la mise à la terre.
- Ne pas utiliser des rallonges ou des prises qui n'ont pas une capacité suffisante pour transporter le courant.
- Mettre toutes les commandes à la position arrêt (« OFF ») avant de débrancher l'appareil.
- Ne pas débrancher en tirant sur le cordon. Tirer plutôt la fiche.

Cet appareil est destiné à un circuit de 120 V et est muni d'une fiche de terre semblable à celle illustrée par le croquis A. Un adaptateur temporaire semblable à celui illustré par le croquis B peut être utilisé pour brancher cette fiche à une prise bipolaire comme l'illustre le croquis B si une prise à mise à la terre n'est pas disponible. L'adaptateur temporaire devrait être utilisé seulement jusqu'à ce qu'une prise avec mise à la terre soit installée par un électricien qualifié. L'oreille rigide ou le crochet ou autre dispositif semblable, de couleur verte, prolongeant l'adaptateur doit être raccordé à un élément correctement mis à la terre comme le couvercle d'une boîte de sortie mise à la terre. L'adaptateur doit être fixé par une vis métallique.

NOTE : Au Canada, l'utilisation d'un adaptateur temporaire n'est pas autorisée par le Code canadien de l'électricité.



AVERTISSEMENT

Cet appareil doit être mis à la terre. En cas de défaillance ou de panne éventuelle, la mise à la terre fournit au courant un chemin de moindre résistance qui réduit le risque de choc électrique. Cet appareil est pourvu d'un cordon muni d'un conducteur de terre et d'une fiche avec broche de terre. La fiche doit être branchée dans une prise appropriée correctement installée et mise à la terre conformément aux règlements et ordonnances municipaux.

Un conducteur de terre mal raccordé peut entraîner un risque de choc électrique. Consulter un électricien ou un technicien d'entretien qualifié si vous n'êtes pas certain que la prise est correctement mise à la terre. Ne pas modifier la fiche fournie avec l'appareil. Si elle ne peut être insérée dans la prise, faire installer une prise adéquate par un électricien qualifié.

Nettoyeur Extracteur A usage commercial Guide du propriétaire Série SC6080

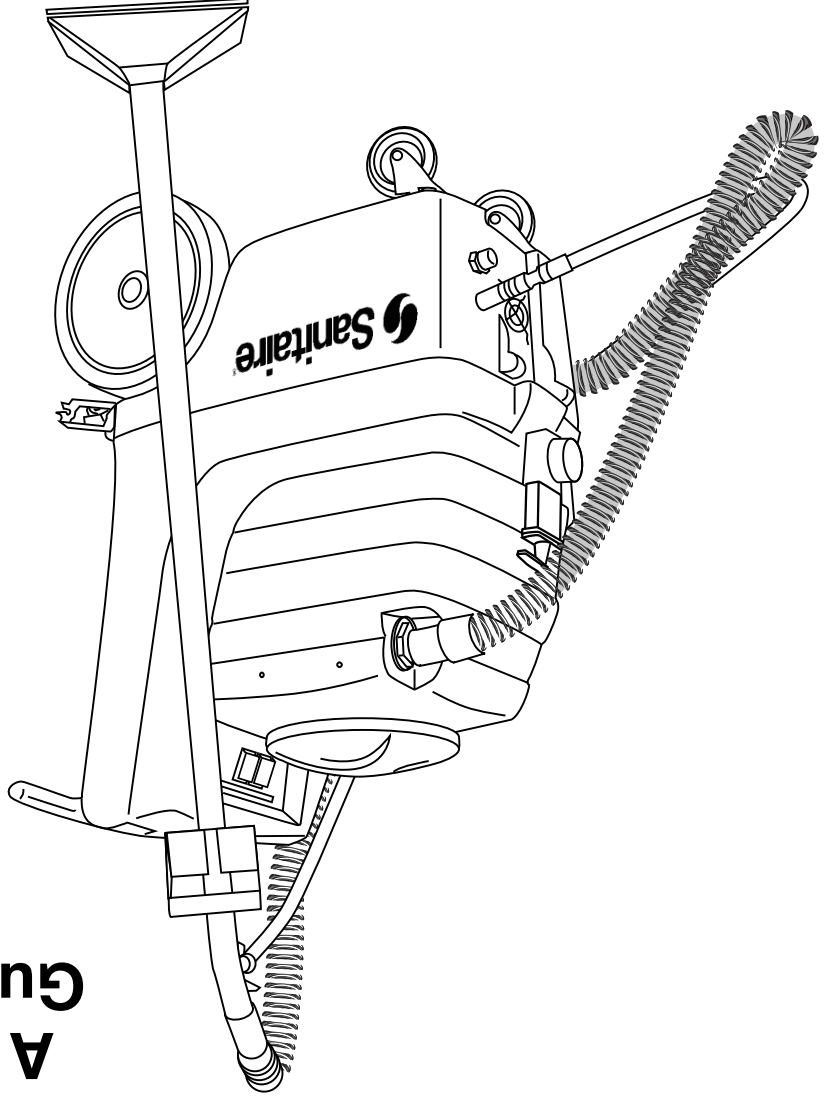


Table des matières

Importantes mesures de sécurité	2
Renseignements sur le service	3
Identification des pièces	3
Mode d'emploi	4
Dépannage	5
Garantie	5

www.sanitairevac.com

Pour voir la **liste des pièces de rechange**, visitez le site www.sanitairevac.com ou appelez le 1-800-800-8975 pour demander une copie de la liste.

Pour savoir l'adresse du **Centre service agréé Sanitaire** le plus proche de votre domicile, ou pour les renseignements sur le service, appelez le 1-800-800-8975.