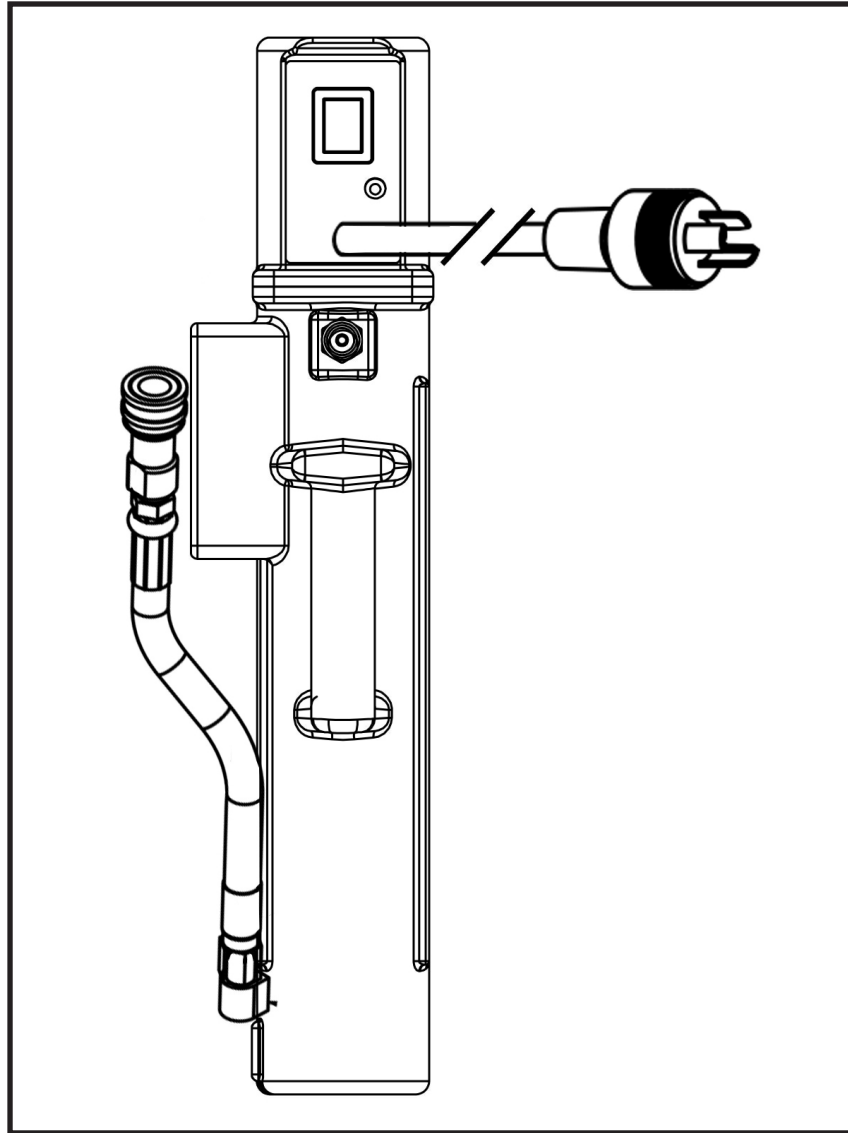


HEAT 'N' RUN

700HR
702HR

1000WATT/2000WATT IN-LINE HEATER

OWNER'S/OPERATOR'S MANUAL



PROUDLY DESIGNED AND MANUFACTURED BY

EDIC

WWW.EDIC-USA.COM

Revision 12-6-16



FOR COMMERCIAL USE ONLY

UNPACKING YOUR NEW HEAT 'N' RUN:

When your package is delivered, check the carton carefully for signs of rough handling. If the heater is damaged, notify the carrier immediately and request an inspection. Be sure to keep the carton, packing inserts, packing lists and carrier's receipt until the inspector has verified your claim.

EDIC's liability ceases when the carrier picks up the shipment. However, our customer service staff will be happy to furnish any information needed in connection with the claim and will attempt to expedite a resolution.



PLEASE READ BEFORE OPERATING THE HEATER:

Read the manual carefully and completely before attempting to operate the unit. This manual has important information for the use and safe operation of the machine. Keep this manual handy at all times.

This equipment has been engineered and manufactured to provide excellent performance and service. To ensure that your equipment will continue to perform as intended:

- Maintain equipment regularly- following the suggested maintenance schedule provided.
- Use only original EDIC parts when servicing.
- Operate equipment with care.

If additional information is needed, please contact EDIC at: 800-338-3342 or email info@edic-usa.com

All information and specifications printed in the manual are current at the time of printing; however because of EDIC's policy of continual product development, we reserve the right to make changes at any time without notice.

FAILURE TO COMPLY WITH THE FOLLOWING WARNINGS AND INSTRUCTIONS WILL VOID THE WARRANTY.

WARNING!

- The HEAT 'N' RUN was designed for use on EDIC GALAXY, GALAXY PRO, GALAXY 5, GALAXY AUTO 3000, & AUTO GALAXY 5 **HEAT READY** extractors for carpet, floor and upholstery extraction applications. Any deviation from its proper use or purpose and the consequential damage that may occur is the sole responsibility of the end user.
- Disconnect the power cord from the outlet before servicing. Do not leave heater connected to an electrical outlet when unattended.
- Do not immerse or use this heater in standing water. Such use may cause electric shock.
- When using an extension cord, use only a 3-prong conductor grounding cord-12 gauge wire or heavier.
- To avoid electric shock, do not expose the unit to rain or snow. Store it indoors in a heated location only.
- Do not run the heater dry. always make sure you have water
- The use of powdered cleaning solution, if not diluted properly, may result in clogs to the fittings. Powdered chemical is not recommended. If powdered chemicals are used, premix in a separate container before placing in the solution tank.
- This equipment is not designed to handle or use combustible/volatile substances such as gasoline or kerosene, in, on, or near the machine. The use of such materials will cause extreme hazardous condition.
- Do not expose heater to freezing temperatures.
- All repairs must be done by an authorized EDIC repair station.
- Do not use replacement parts other than original EDIC parts.
- Prevent burns by wearing gloves or using a barrier to remove hot quick disconnects.
- This is not a toy. Keep away from children.
- Do not pull by the power or use power cord as a handle. Always unplug by grabbing the plug and pulling, do not unplug by pulling the power cord.
- Inspect cord for damage. Do not use damaged cords. Connect only to properly grounded outlets.
- Turn off all controls before disconnecting heater.
- Never leave heater or equipment unattended when connected or powered on.
- Use caution with ejected liquid or chemicals. High pressures and temperatures could be hazardous to nearby people or surroundings.

GROUNDING INSTRUCTIONS:

This piece of equipment must be grounded. Should an electrical malfunction occur, grounding provides a path of least resistance for electrical current- reducing the risk of electric shock. This piece of equipment is furnished with a cord that has a grounding conductor and grounding plug. The grounded plug must only be plugged into an appropriate outlet that is properly installed and grounded in accordance with all local codes and ordinances.

WARNING:

Connecting the equipment to an improperly grounded outlet can result in an increased risk of electric shock. A qualified electrician should be consulted if you are unsure that the outlet is properly grounded. Do not modify the plug provided with the equipment. If it will not fit the outlet, have a proper outlet installed by a qualified electrician.

This appliance is designed for use on a 120-volt circuit. The grounding plug provided looks like the plug illustrated in Figure 1. Replace the plug if the grounding pin is damaged or broken. No cord included when you order a 700HR. Cords are provided when you order a 605HR kit (700HR + cord).

The Green (or Green/Yellow) wire in the cord is the grounding wire. When replacing a plug, this wire must be attached to the grounding pin only.

Extension cords connected to this machine should be 12 gauge, three-wire cords with three-prong plugs and outlets. DO NOT use extension cords more than 25 feet (7.6 m) long.

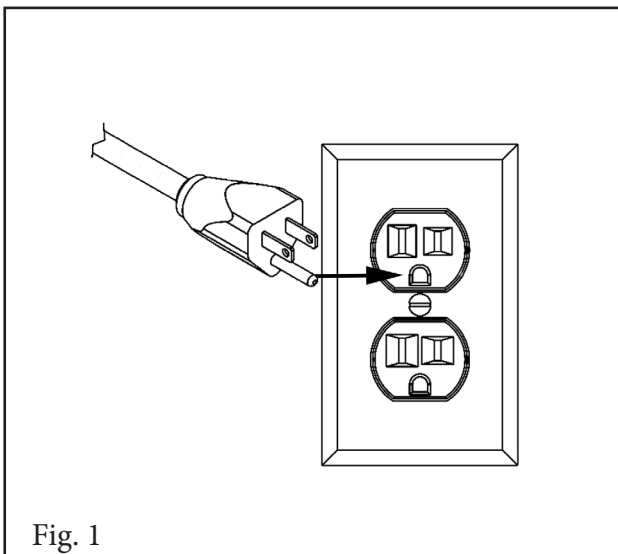


Fig. 1

LOCATING A CIRCUIT:

When using a 700HR, it is important to provide a dedicated circuit exclusively for the heater. You may use an EDIC circuit locator (988CS or 989CS) to assist you in locating a circuit.

PERIODIC MAINTENANCE:

This EDIC Heater has been designed to operate with a minimum amount of care.

- Run a 3 parts water to 1 parts white vinegar (3:1) periodically through the entire machine to help minimize and break down mineral and chemical deposits once a month
- Check that cords are in good shape and not damaged. Replace damaged cords.
- Check plastic housing periodically for leaks or cracks
- Check hoses for leaks or cracks
- Lubricate the quick disconnects using a silicone based lubricant once a month
- Do not expose to freezing temperatures
- Do not run dry

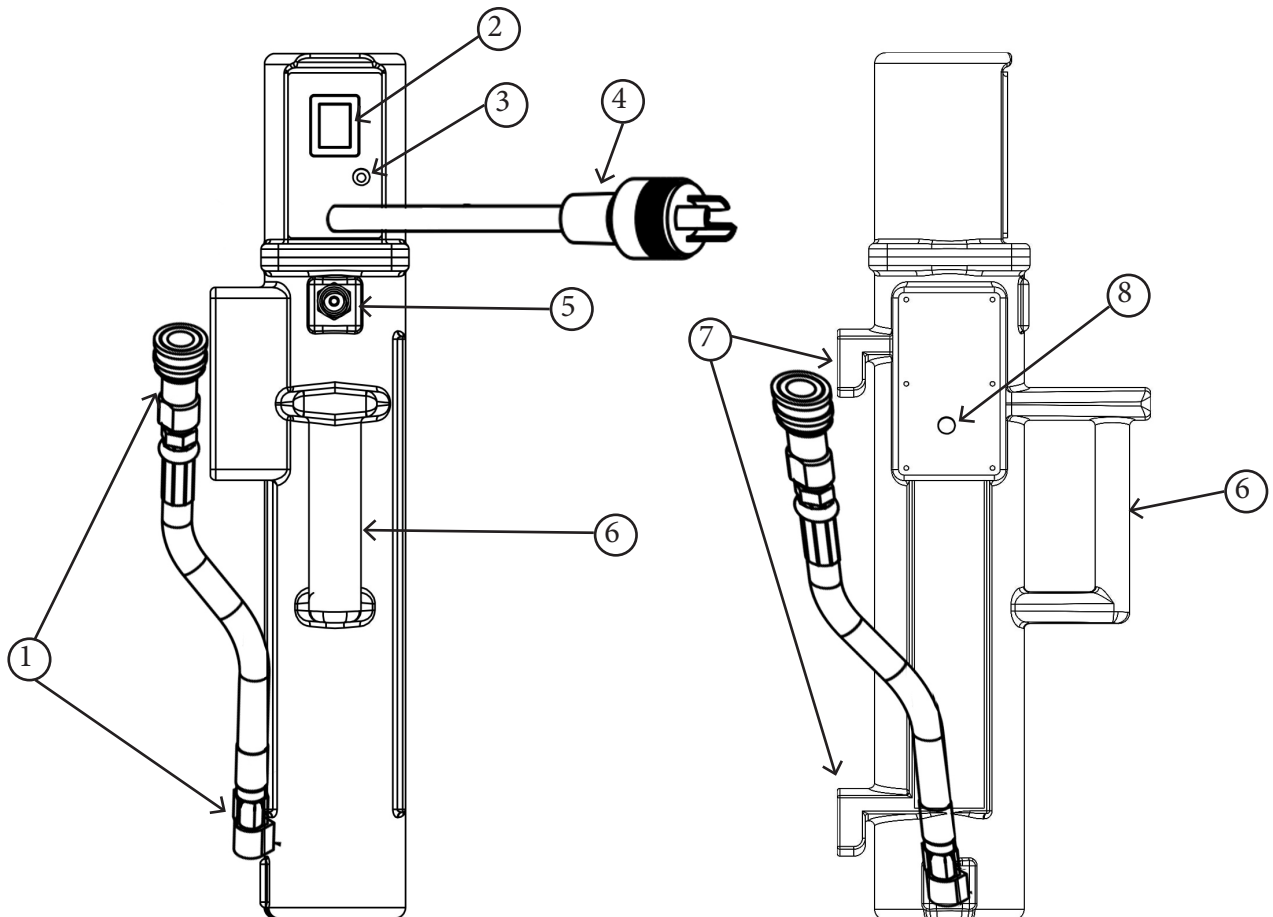
Servicing:

In the event that your heater requires service, please contact EDIC at:
800-338-3342
or email info@edic-usa.com

Do not attempt repairs yourself. EDIC will assist you in locating an independent service contractor.

Contact EDIC for replacement parts.

1. INLET QUICK DISCONNECT AND HOSE- Connects to machine's outlet
2. POWER SWITCH
3. LAMP- Indicates when heat element is on and working
4. TWIST LOCK PIG-TAIL- On a 700HR, this connects to 50ft twist lock power cord. On a 702HR, this connects to your AUTOMOTIVE GALAXY's female twistlock plug on the rear of the machine.
5. OUTLET QUICK DISCONNECT- Connects to working solution line
6. HANDLE- Used to hold and transport the heater
7. MOUNTING FEET- Used to engage the mounting brackets on an EDIC GALAXY HEAT READY extractor and secure the HEAT 'N' RUN
8. HIGH TEMP BREAKER ACCESS POINT- Allows access to the breaker switch in the event the unit has been run dry



How to use a 700HR accessory heater:

1. Fill the solution tank of your EDIC GALAXY HEAT READY extractor with sufficient water for the task at hand
2. Mount the 700HR Heater by lining up the two “legs” to the two mounting brackets on the rear of the machine. (Figure 1a)
3. Connect your heater’s inlet hose (#1 on page 4) to the machine’s outlet quick disconnect. (Figure 2a)
4. Connect your working solution hose to #5 on page 4. (Figure 3a)
5. Connect your vacuum hose to the extractor’s vacuum inlet barb
6. Connect the power cord on the machine and the power cord to the heater into two separate plugs on two separate circuits. Use an EDIC circuit locator to accurately determine whether you are on a separate circuit. (Figure 4a)
7. Turn the pump switch to the “ON” position using the pump switch on the handle of your GALAXY HEAT READY EXTRACTOR
8. Without turning on your heater, spray for a 10-15 seconds to fill the heater with fluid
9. Turn heater on using the power switch (#2 on page 4) and allow up to 3 minutes for the unit to heat up.

**



Figure 1a



Figure 2a

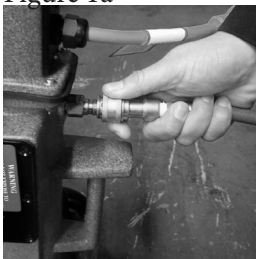


Figure 3a



Figure 4a

**You will know the heater is ready for use once the green lamp (3 on page 4) shuts off the first time. Once you start cleaning, the green lamp will turn on and off throughout your job as the thermostats regulate the temperature.

How to use a 702HR accessory heater:

1. Fill the solution tank of your EDIC GALAXY HEAT READY extractor with sufficient water for the task at hand
2. Mount the 702HR Heater by lining up the two “legs” to the two mounting brackets on the rear of the machine. (Figure 1b)
3. Connect your heater’s inlet hose (#1 on page 4) to the machine’s outlet quick disconnect. (Figure 2b)
4. Connect your working solution hose to #5 on page 4 (figure 3b)
5. Connect your vacuum hose to the extractor’s vacuum inlet barb
6. Connect the power cord on the heater to your AUTOMOTIVE GALAXY’S female twistlock plug located on the bottom rear of the machine. (Figure 4b)
7. Turn the pump switch to the “ON” position using the pump switch on the handle of your GALAXY AUTOMOTIVE EXTRACTOR
8. Without turning on your heater, spray for a 10-15 seconds to fill the heater with fluid
9. Turn heater on using the power switch (#2 on page 4) and allow up to 3 minutes for the unit to heat up.

**



Figure 1b



Figure 2b

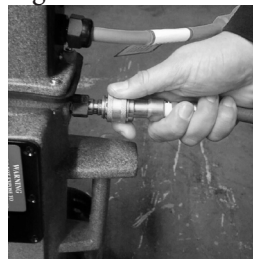


Figure 3b

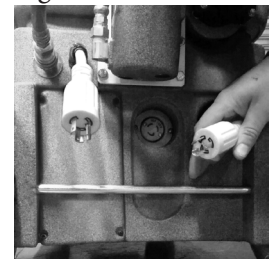
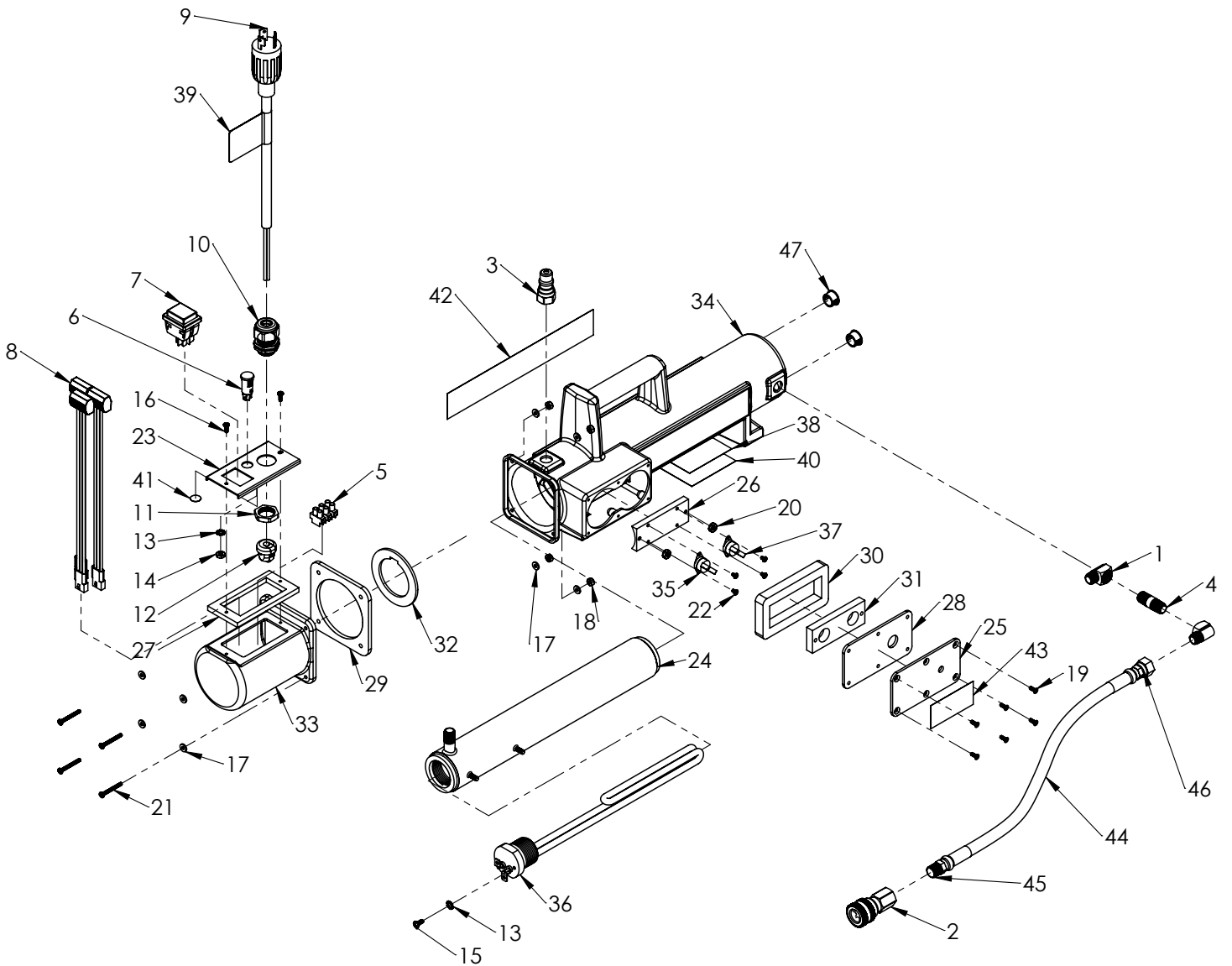


Figure 4b

**You will know the heater is ready for use once the green lamp (3 on page 4) shuts off the first time. Once you start cleaning, the green lamp will turn on and off throughout your job as the thermostats regulate the temperature.

EXPLODED VIEW OF 700HR/702HR



700HR
EXPLODED VIEW
11/16/2016

ITEM NO.	PART NUMBER	DESCRIPTION	QTY.
1	A00052	90 DEGREE ELBOW, .25" MP X .25" FP	2
2	A00102	QUICK DISCONNECT, .25" F, .25" FP, BRASS	1
3	A00104	QD, .25" M X .25" FP, BRASS	1
4	A00164	NIPPLE, .25" NPT, 1.5" L, BRASS	1
5	B02190	TERMINAL BLOCK, 3-POLE	1
6	B02196-1	INDICATOR LIGHT	1
7	B02211-1	ROCKER SWITCH	1
8	B10933	WIRE HARNESS, 12GA TEFLON	1
9	B11779	POWER CORD, 12/3, SJTW, 9" L	1
10	B11821	STRAIN RELIEF	1
11	B11832	STRAIN RELIEF NUT	1
12	B13291	CORD GRIP, SNAP-IN, 12/3	1
13	C00256	LOCKWASHER, #10, EXT. STAR	2
14	C00264	HEX NUT, 10-32, SS	1
15	C00310-38	#8-32 X 3/8" SCREW, BLACK OXIDE	1
16	C00324-38	#6-32 X 3/8" SCREW RH	2
17	C02265	WASHER #6 SAE FLAT	8
18	C02274	LOCKNUT, NYLON, #6-32	4
19	C11435	SCREW, 6-32 x .375", BO, SS	6
20	C13025	HEX NUT, 10-32 WITH EXT. LOCK WASHER	2
21	C13474	#6-32 X 1" SCREW RH SS	4
22	C14091	SCREW, #5-40 x .1875", RH, ZP	4
23	D11227	SWITCH PLATE	1
24	NOT AVAILABLE	TANK	1
25	D11254	COVER, THERMOSTAT	1
26	D13725	THERMOSTAT BASE	1
27	E10941	GASKET, SWITCH PLATE	1
28	E11256	GASKET, THERMOSTAT COVER	1
29	E13427	GASKET, HEATER, SBR	1
30	E14045	PARTITION PAD, HEATER	1
31	E14076	GASKET, THERMOSTAT, HEATER	1
32	F10956	PARTITION, PVC, HEATER	1
33	F11795	CAP, HEATER 600HR	1
34	NOT AVAILABLE	HOUSING	1
35	G10964-1	THERMOSTAT, 170DEG	1
36	G11182	HEATER ELEMENT, 2000W, 115V	1
37	G11258-1	THERMOSTAT WITH BREAKER	1
38	H00565-5	LABEL, SERIAL #, STANDARD	1
39	H010237	LABEL, CAUTION, HEATER	1
40	H03545	COVER, SERIAL # LABEL	1
41	H10911	LABEL, GROUND	1
42	H10960	WARNING LABEL	1
43	H13135	WARNING LABEL, FREEZING	1
44	J00580	HIGH PRESSURE/TEMP HOSE .25" X 18"	1
45	J00659	SWAGE FITTING, .25" MP	1
46	J00660	SWAGE FITTING, .25" FP	1
47	K02715	PLUG, .625"	2

702HR
EXPLODED VIEW
11/16/2016

ITEM NO.	PART NUMBER	DESCRIPTION	QTY.
1	A00052	90 DEGREE ELBOW, .25" MP X .25" FP	2
2	A00102	QUICK DISCONNECT, .25" F, .25" FP, BRASS	1
3	A00104	QD, .25" M X .25" FP, BRASS	1
4	A00164	NIPPLE, .25" NPT, 1.5" L, BRASS	1
5	B02190	TERMINAL BLOCK, 3-POLE	1
6	B02196-1	INDICATOR LIGHT	1
7	B02211-1	ROCKER SWITCH	1
8	B10933	WIRE HARNESS, 12GA TEFLON	1
9	B11779	POWER CORD, 12/3, SJTW, 9" L	1
10	B11821	STRAIN RELIEF	1
11	B11832	STRAIN RELIEF NUT	1
12	B13291	CORD GRIP, SNAP-IN, 12/3	1
13	C00256	LOCKWASHER, #10, EXT. STAR	2
14	C00264	HEX NUT, 10-32, SS	1
15	C00310-38	#8-32 X 3/8" SCREW, BLACK OXIDE	1
16	C00324-38	#6-32 X 3/8" SCREW RH	2
17	C02265	WASHER #6 SAE FLAT	8
18	C02274	LOCKNUT, NYLON, #6-32	4
19	C11435	SCREW, 6-32 x .375", BO, SS	6
20	C13025	HEX NUT, 10-32 WITH EXT. LOCK WASHER	2
21	C13474	#6-32 X 1" SCREW RH SS	4
22	C14091	SCREW, #5-40 x .1875", RH, ZP	4
23	D11227	SWITCH PLATE	1
24	NOT AVAILABLE	TANK	1
25	D11254	COVER, THERMOSTAT	1
26	D13725	THERMOSTAT BASE	1
27	E10941	GASKET, SWITCH PLATE	1
28	E11256	GASKET, THERMOSTAT COVER	1
29	E13427	GASKET, HEATER, SBR	1
30	E14045	PARTITION PAD, HEATER	1
31	E14076	GASKET, THERMOSTAT, HEATER	1
32	F10956	PARTITION, PVC, HEATER	1
33	F11795	CAP, HEATER 600HR	1
34	NOT AVAILABLE	HOUSING	1
35	G10964-1	THERMOSTAT, 170DEG	1
36	G13442	HEATER ELEMENT, 1000W, 115V	1
37	G11258-1	THERMOSTAT WITH BREAKER	1
38	H00565-5	LABEL, SERIAL #, STANDARD	1
39	H010237	LABEL, CAUTION, HEATER	1
40	H03545	COVER, SERIAL # LABEL	1
41	H10911	LABEL, GROUND	1
42	H10960	WARNING LABEL	1
43	H13135	WARNING LABEL, FREEZING	1
44	J00580	HIGH PRESSURE/TEMP HOSE .25" X 18"	1
45	J00659	SWAGE FITTING, .25" MP	1
46	J00660	SWAGE FITTING, .25" FP	1
47	K02715	PLUG, .625"	2